

ALINE

Wholesale Cabinetry



2021 Specifications and New Pricing

Committed to Excellence

Luxury Kitchens Made Affordable

Aline International provides our customers across North America with high-quality kitchen cabinetry at a great price. Our strong customer focused philosophy is driven by an unwavering commitment to delivering excellence in products and service. We promise to meet or exceed all professional standards of the cabinet industry; by incorporating the highest grade materials and maintaining an uncompromising level of quality control of our products.



Table of Contents



| | |
|----------------------------|---------|
| Cabinet Construction | 12 - 13 |
| Cabinet Style | 14 - 21 |
| Wall Cabinets | 34 - 47 |
| Base Cabinets | 48 - 55 |
| Pantries | 56 - 60 |
| Vanities | 61- 64 |
| Mouldings | 65 - 67 |
| Filler & Panels | 68 - 70 |
| Accessories | 71 - 72 |
| How to Order..... | 73 |
| Price list..... | 74 - 81 |
| Frameless Cabinets | 86 -108 |



Door Style
Shaker White

Door Construction
Solid Birch Frame
MDF Center

Box Construction
Solid Wood Frame
Plywood Box

Hardware
DTC Soft-close
Glides and Hinges



SHAKER



Door Style
Charleston Saddle
Natural Wood Grain
Raised Center Panel

Door Construction
Solid Birch Frame
Solid Wood Center
Full Overlay

Hardware
DTC Soft-close
Glides and Hinges

CHARLESTON





Cabinet Construction

Shaker

- Full overlay panel door and drawer front.
- ¾ inch thick solid wood frame with MDF center.
- ¾ inch thick cabinet grade plywood shelving with front edge banding.
- Dovetail drawers with solid wood on all sides.
- Door bumpers
- ½ inch cabinet-grade plywood box.
- UV coated natural plywood interior.
- Concealed undermount full extension drawer glides with soft close feature.
- 6 way adjustable European style hinge with soft close feature.
- Door bumpers

Charleston/Aspen

- Full overlay panel, ¾ inch thick solid wood frame.
- ¾ inch thick cabinet grade plywood shelving with front edge banding.
- Dovetail drawers with solid wood on all sides.
- ½ inch cabinet grade plywood box with finished exteriors.
- UV coated natural plywood interior.
- Concealed undermount full extension drawer glides with soft-close feature.
- 6 way adjustable European style hinge with soft close feature.
- Door bumpers.

Frameless

- Frameless European style door and drawer front.
- ¾ inch thick MDF flat door covered with melamine paper on all side.
- ¾ inch particle board box covered with melamine paper on both sides.
- Finised exteriors and wood color interior.
- Dovetail drawers with ⅝ inch solid wood on all sides.
- Concealed undermount full extension drawer glides with soft-close feature.
- DTC European style hinge with soft-close feature.





AC Aspen Charcoal Gray



SW Shaker White



CS Charleston Saddle



CW Charleston White



GR Shaker Gray



ES Shaker Espresso



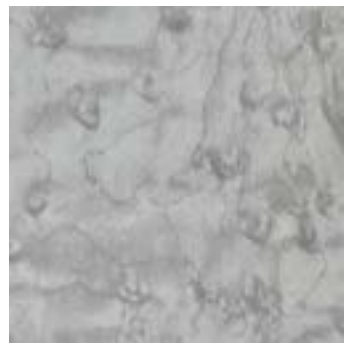
AW Aspen White



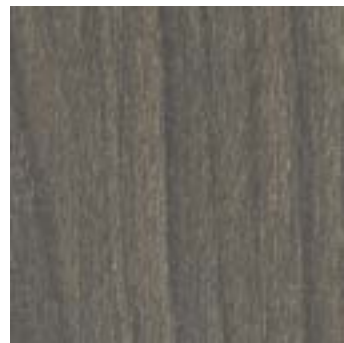
AE Autumn Elm (Frameless)



E2006 SY-XM/JZ



E7028 SY-XM/JZ



E7019 SY-XM/JZ



E8019 SY-XM/JZ



E7026 SY-XM/JZ



82015 SY-XM/JZ



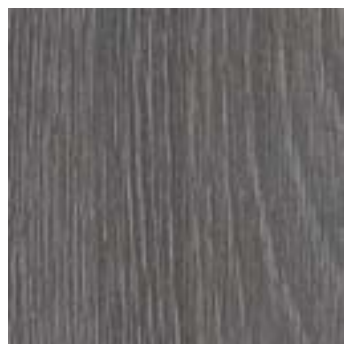
E8011 SY-XM/JZ



E8020-1 SY-XM/JZ



E7009 SY-XM/JZ



E8012-2 SY-XM/JZ

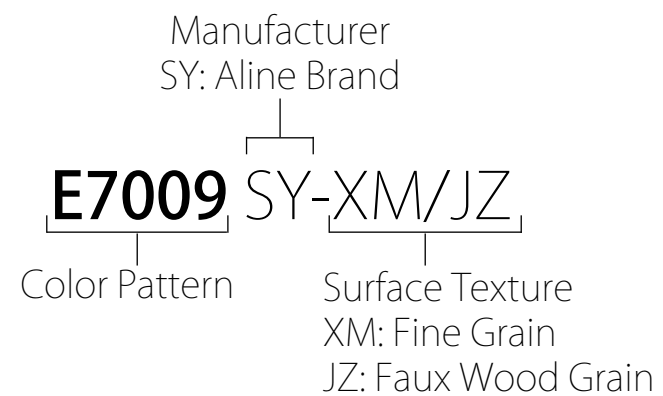


E2005 SY-XM/JZ



E8003-1 SY-XM/JZ

On Container Order:
Additional Patterns of
Frameless Laminate Door:





E7012 SY-XM/JZ



E8022-1 SY-XM/JZ



E7010 SY-XM/JZ



E7016 SY-XM/JZ



E8026-2 SY-XM/JZ



E8019-2 SY-XM/JZ



E8008-1 SY-XM/JZ



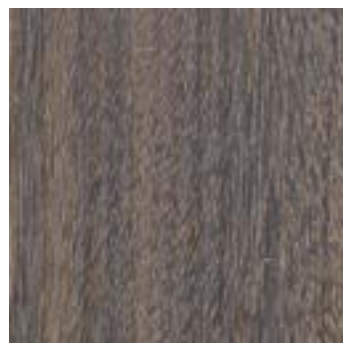
E7015 SY-XM/JZ



E7011 SY-XM/JZ



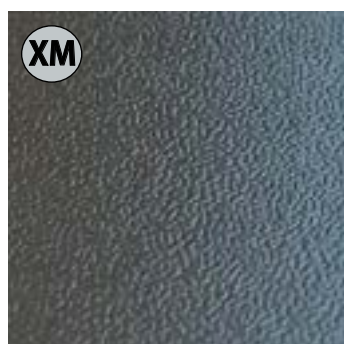
E7005 SY-XM/JZ



E8014 SY-XM/JZ



E9003 SY-XM/JZ



XM



JZ

Two choices of 3D textures

- XM** Smoother surface
- JZ** Faux wood grain surface





E8009 SY-XM/JZ



E7018 SY-XM/JZ



E8026 SY-XM/JZ



E7024 SY-XM/JZ



E7081 SY-XM/JZ



E7021 SY-XM/JZ



ASSEMBLY

Facility Capacity
15-20 Work Stations
300 Cabinets Daily

Lead Time
5-7 Business Days

Delivery Service
50 Miles

Flat Box Order
Same Day Pickup



WAREHOUSE

Space
150,000 sft

New Service
On-line Order by Customer

Inventory Size
**Full Range of Stock of
8 Cabinet Lines**

Warehouse Workforce
30



Door Style
Aspen Charcoal Gray

Door Construction
Solid Birch Frame & Center
Natural Wood Grain
Raised Panel
Glass Door Option

Hardware
New Line
Modern Appeal

Hardware
DTC Soft-close
Glides and Hinges

CHARCOAL GRAY





Door Style
Shaker Gray (Island)
Shaker White

Door Construction
Solid Birch Frame
MDF Center
Glass Door Options
Full Overlay

Accessories
Variety of Molding Styles

SHAKER



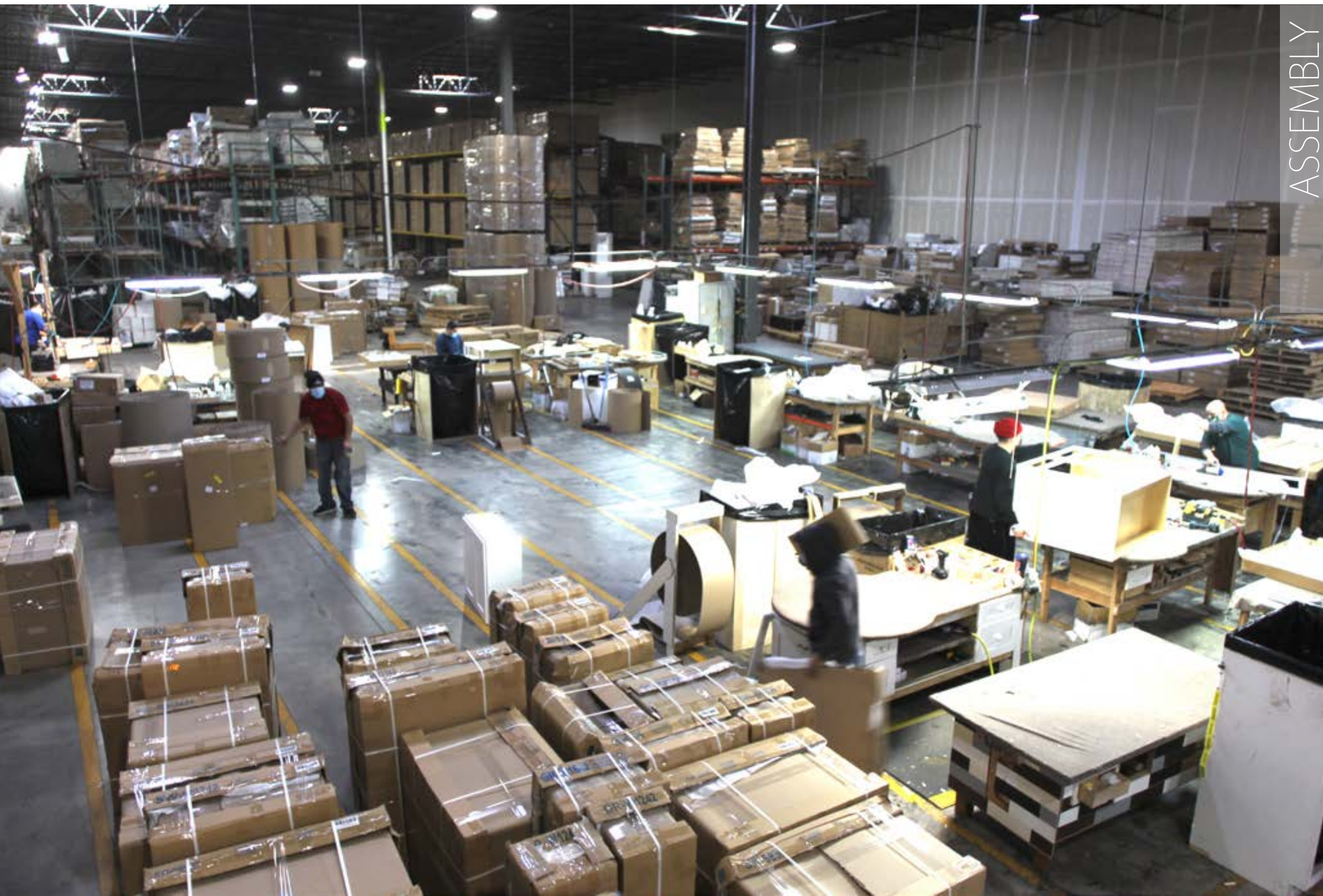


Charleston

Door Style
Charleston White

Glaze Flood Coat
Paints with Glaze
Expertly Hand-wiped
Highlights in Detailed Areas

Accessories
Decorative Molding
& Accessories
Vintage Appearance



ASSEMBLY

Facility Capacity
15-20 Work Stations
300 Cabinets Daily

Lead Time
5-7 Business Days

Delivery Service
50 Miles

Flat Box Order
Same Day Pickup



Door Style
Shaker Espresso
Natural Wood Grain

Door Construction
Solid Birch Frame
MDF Center

Box
Wood Frame & 1/2" Plywood Box

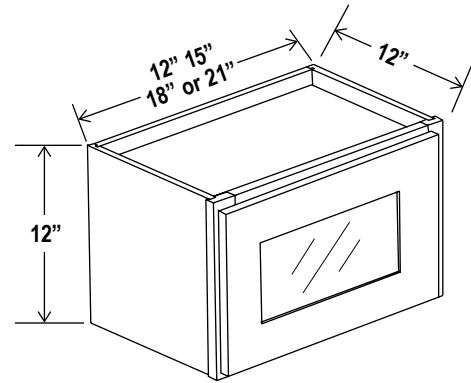
Hardware
DTC Soft-close Glides and Hinges



ESPRESSO

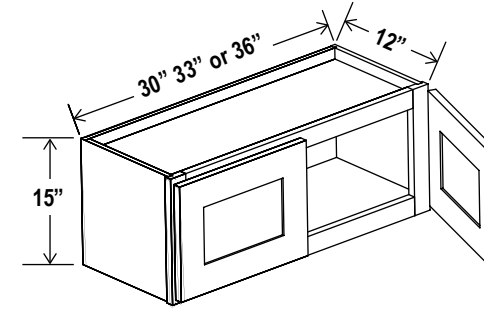
Wall Cabinet Single Glass Doors

| SKU | | W | H | D |
|---------|---------|--------|----|-----|
| W1212GD | Cabinet | 12 | 12 | 12 |
| | Door | 11 1/2 | 11 | 3/4 |
| W1512GD | Cabinet | 15 | 12 | 12 |
| | Door | 14 1/2 | 11 | 3/4 |
| W1812GD | Cabinet | 18 | 12 | 12 |
| | Door | 17 1/2 | 11 | 3/4 |
| W2112GD | Cabinet | 21 | 12 | 12 |
| | Door | 20 1/2 | 11 | 3/4 |



Clear glass included

15"H



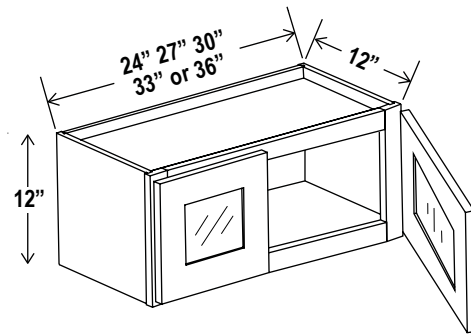
No shelf

Wall Cabinet Double Doors

| Item Code | | W | H | D |
|-----------|---------|--------|----|-----|
| W3015 | Cabinet | 30 | 15 | 12 |
| | Door | 14 1/2 | 14 | 3/4 |
| W3315 | Cabinet | 33 | 15 | 12 |
| | Door | 16 1/2 | 14 | 3/4 |
| W3615 | Cabinet | 36 | 15 | 12 |
| | Door | 17 3/4 | 14 | 3/4 |

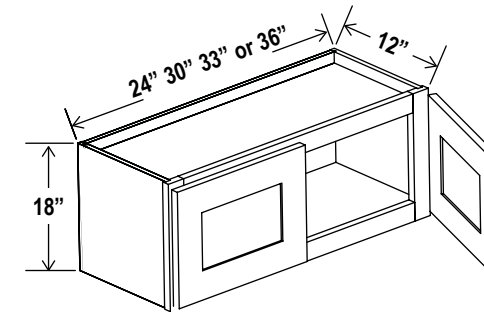
Wall Cabinet Double Glass Doors

| Item Code | | W | H | D |
|-----------|---------|--------|----|-----|
| W2412GD | Cabinet | 24 | 12 | 12 |
| | Door | 11 3/4 | 11 | 3/4 |
| W2712GD | Cabinet | 27 | 12 | 12 |
| | Door | 13 3/4 | 11 | 3/4 |
| W3012GD | Cabinet | 30 | 12 | 12 |
| | Door | 14 3/4 | 11 | 3/4 |
| W3312GD | Cabinet | 33 | 12 | 12 |
| | Door | 16 1/4 | 11 | 3/4 |
| W3612GD | Cabinet | 36 | 12 | 12 |
| | Door | 17 3/4 | 11 | 3/4 |



Clear glass included

18"H



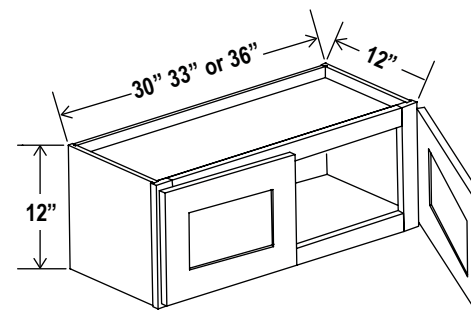
No shelf

Wall Cabinet Double Doors

| Item Code | | W | H | D |
|-----------|---------|--------|----|-----|
| W2418 | Cabinet | 24 | 18 | 12 |
| | Door | 11 3/4 | 17 | 3/4 |
| W3018 | Cabinet | 30 | 18 | 12 |
| | Door | 14 3/4 | 17 | 3/4 |
| W3318 | Cabinet | 33 | 18 | 12 |
| | Door | 16 1/4 | 17 | 3/4 |
| W3618 | Cabinet | 36 | 18 | 12 |
| | Door | 17 3/4 | 17 | 3/4 |

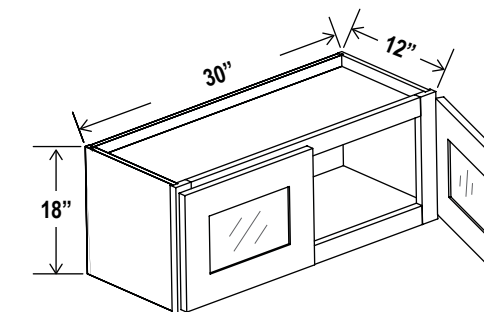
Wall Cabinet Double Doors

| Item Code | | W | H | D |
|-----------|---------|----|----|-----|
| W3012 | Cabinet | 30 | 12 | 12 |
| | Door | 14 | 11 | 3/4 |
| W3312 | Cabinet | 33 | 12 | 12 |
| | Door | 16 | 11 | 3/4 |
| W3612 | Cabinet | 36 | 12 | 12 |
| | Door | 17 | 11 | 3/4 |



No shelf

18"H



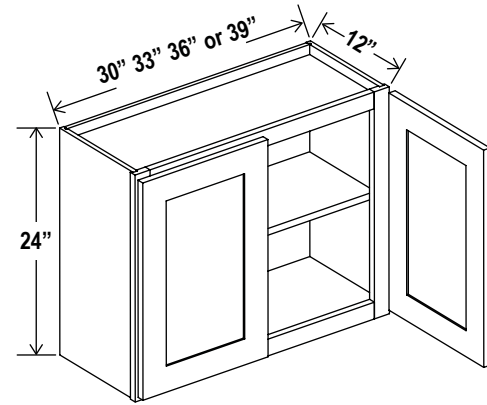
Clear glass included

Wall Cabinet Double Glass Doors

| Item Code | | W | H | D |
|-----------|---------|--------|----|-----|
| W3018GD | Cabinet | 30 | 18 | 12 |
| | Door | 14 3/4 | 17 | 3/4 |

Wall Cabinet Double Doors

| Item Code | | W | H | D |
|-----------|---------|--------|----|-----|
| W3024 | Cabinet | 30 | 24 | 12 |
| | Door | 14 3/4 | 23 | 3/4 |
| W3324 | Cabinet | 33 | 24 | 12 |
| | Door | 16 1/4 | 23 | 3/4 |
| W3624 | Cabinet | 36 | 24 | 12 |
| | Door | 17 3/4 | 23 | 3/4 |
| W3924 | Cabinet | 39 | 24 | 12 |
| | Door | 19 1/4 | 23 | 3/4 |



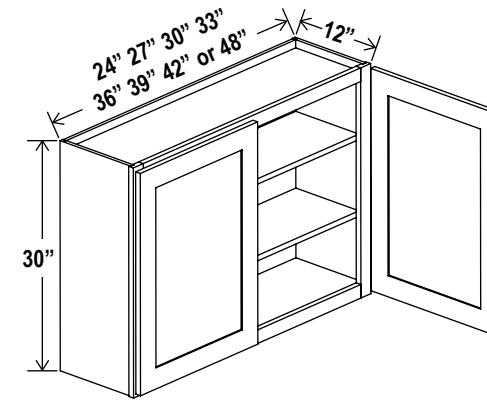
One adjustable shelf

24"H

30"H

Wall Cabinet Double Doors

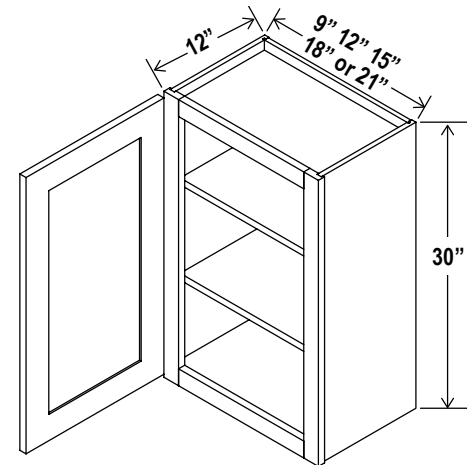
| Item Code | | W | H | D |
|-----------|---------|--------|----|-----|
| W2430 | Cabinet | 24 | 30 | 12 |
| | Door | 11 3/4 | 29 | 3/4 |
| W2730 | Cabinet | 27 | 30 | 12 |
| | Door | 13 1/4 | 29 | 3/4 |
| W3030 | Cabinet | 30 | 30 | 12 |
| | Door | 14 3/4 | 29 | 3/4 |
| W3330 | Cabinet | 33 | 30 | 12 |
| | Door | 16 1/4 | 29 | 3/4 |
| W3630 | Cabinet | 36 | 30 | 12 |
| | Door | 17 3/4 | 29 | 3/4 |
| W3930 | Cabinet | 39 | 30 | 12 |
| | Door | 19 1/4 | 29 | 3/4 |
| W4230 | Cabinet | 42 | 30 | 12 |
| | Door | 20 3/4 | 29 | 3/4 |
| W4830 | Cabinet | 48 | 30 | 12 |
| | Door | 23 1/2 | 29 | 3/4 |



Two adjustable shelves

Wall Cabinet Single Door

| Item Code | | W | H | D |
|-----------|---------|--------|----|-----|
| W0930 | Cabinet | 9 | 30 | 12 |
| | Door | 8 1/2 | 29 | 3/4 |
| W1230 | Cabinet | 12 | 30 | 12 |
| | Door | 11 1/2 | 29 | 3/4 |
| W1530 | Cabinet | 15 | 30 | 12 |
| | Door | 14 1/2 | 29 | 3/4 |
| W1830 | Cabinet | 18 | 30 | 12 |
| | Door | 17 1/2 | 29 | 3/4 |
| W2130 | Cabinet | 21 | 30 | 12 |
| | Door | 20 1/2 | 29 | 3/4 |



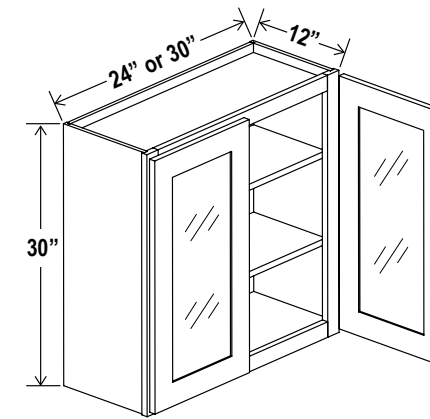
Two adjustable shelves

30"H

30"H

Wall Cabinet Double Glass Doors

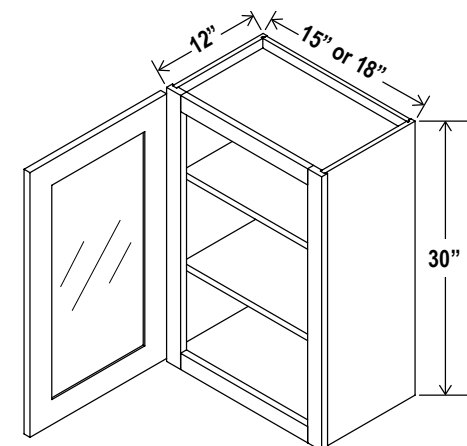
| Item Code | | W | H | D |
|-----------|---------|--------|----|-----|
| W2430GD | Cabinet | 24 | 30 | 12 |
| | Door | 11 3/4 | 29 | 3/4 |
| W3030GD | Cabinet | 30 | 30 | 12 |
| | Door | 14 3/4 | 29 | 3/4 |



Clear glass included

Wall Cabinet Single Glass Door

| Item Code | | W | H | D |
|-----------|---------|--------|----|-----|
| W1530GD | Cabinet | 15 | 30 | 12 |
| | Door | 14 1/2 | 29 | 3/4 |
| W1830GD | Cabinet | 18 | 30 | 12 |
| | Door | 17 1/2 | 29 | 3/4 |



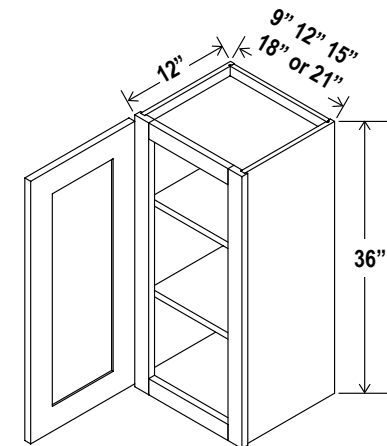
Clear glass included

30"H

36"H

Wall Cabinet Single Door

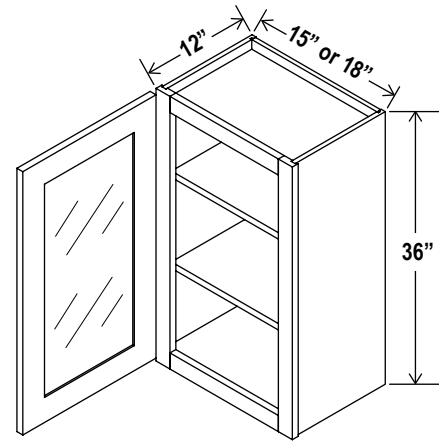
| Item Code | | W | H | D |
|-----------|---------|--------|----|-----|
| W0936 | Cabinet | 9 | 36 | 12 |
| | Door | 8 1/2 | 35 | 3/4 |
| W1236 | Cabinet | 12 | 36 | 12 |
| | Door | 11 1/2 | 35 | 3/4 |
| W1536 | Cabinet | 15 | 36 | 12 |
| | Door | 14 1/2 | 35 | 3/4 |
| W1836 | Cabinet | 18 | 36 | 12 |
| | Door | 17 1/2 | 35 | 3/4 |
| W2136 | Cabinet | 21 | 36 | 12 |
| | Door | 20 1/2 | 35 | 3/4 |



Two adjustable shelves

Wall Cabinet Single Glass Door

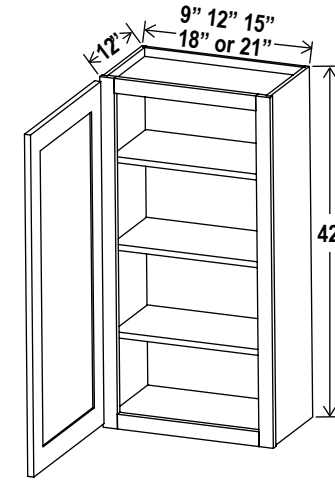
| Item Code | | W | H | D |
|-----------|---------|--------|----|-----|
| W1536GD | Cabinet | 15 | 36 | 12 |
| | Door | 14 1/2 | 35 | 3/4 |
| W1836GD | Cabinet | 18 | 36 | 12 |
| | Door | 14 1/2 | 35 | 3/4 |



Clear glass included

36"H

42"H



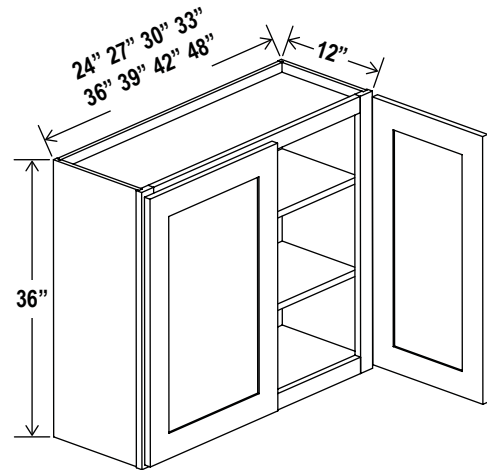
Two adjustable shelves

Wall Cabinet Single Door

| Item Code | | W | H | D |
|-----------|---------|--------|----|-----|
| W0942 | Cabinet | 9 | 42 | 12 |
| | Door | 8 1/2 | 41 | 3/4 |
| W1242 | Cabinet | 12 | 42 | 12 |
| | Door | 11 1/2 | 41 | 3/4 |
| W1542 | Cabinet | 15 | 42 | 12 |
| | Door | 14 1/2 | 41 | 3/4 |
| W1842 | Cabinet | 18 | 42 | 12 |
| | Door | 17 1/2 | 41 | 3/4 |
| W2142 | Cabinet | 21 | 42 | 12 |
| | Door | 20 1/2 | 41 | 3/4 |

Wall Cabinet Double Doors

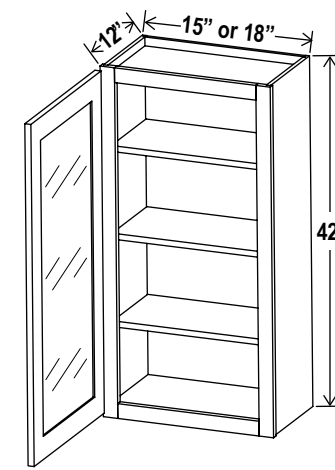
| Item Code | | W | H | D |
|-----------|---------|--------|----|-----|
| W2436 | Cabinet | 24 | 36 | 12 |
| | Door | 11 3/4 | 35 | 3/4 |
| W2736 | Cabinet | 27 | 36 | 12 |
| | Door | 13 1/4 | 35 | 3/4 |
| W3036 | Cabinet | 30 | 36 | 12 |
| | Door | 14 3/4 | 35 | 3/4 |
| W3336 | Cabinet | 33 | 36 | 12 |
| | Door | 16 1/4 | 35 | 3/4 |
| W3636 | Cabinet | 36 | 36 | 12 |
| | Door | 17 3/4 | 35 | 3/4 |
| W3936 | Cabinet | 39 | 36 | 12 |
| | Door | 19 1/4 | 35 | 3/4 |
| W4236 | Cabinet | 42 | 36 | 12 |
| | Door | 20 3/4 | 35 | 3/4 |
| W4836 | Cabinet | 48 | 36 | 12 |
| | Door | 23 1/2 | 35 | 3/4 |



Two adjustable shelves

36"H

42"H



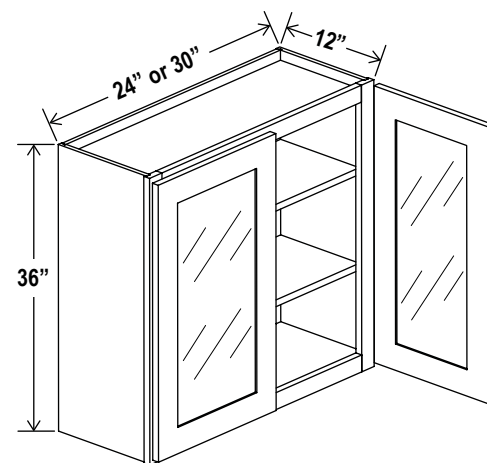
Clear glass included

Wall Cabinet Single Glass Door

| Item Code | | W | H | D |
|-----------|---------|--------|----|-----|
| W1542GD | Cabinet | 15 | 42 | 12 |
| | Door | 14 1/2 | 41 | 3/4 |
| W1842GD | Cabinet | 18 | 42 | 12 |
| | Door | 17 1/2 | 41 | 3/4 |

Wall Cabinet Double Glass Doors

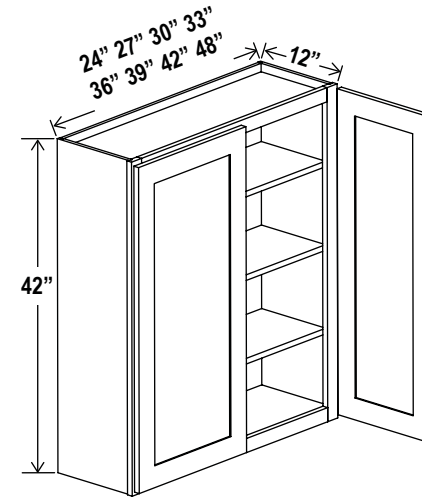
| Item Code | | W | H | D |
|-----------|---------|--------|----|-----|
| W2436GD | Cabinet | 24 | 36 | 12 |
| | Door | 11 3/4 | 35 | 3/4 |
| W3036GD | Cabinet | 30 | 36 | 12 |
| | Door | 14 3/4 | 35 | 3/4 |



Clear glass included

36"H

42"H



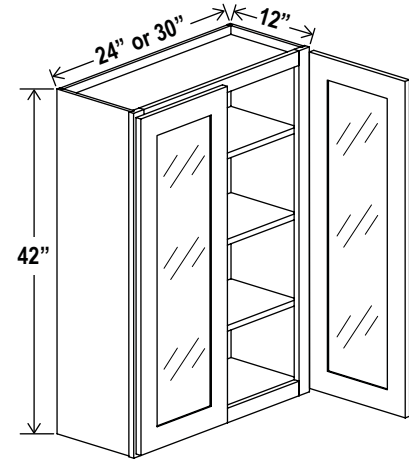
Three adjustable shelves

Wall Cabinet Double Doors

| Item Code | | W | H | D |
|-----------|---------|--------|----|-----|
| W2442 | Cabinet | 24 | 42 | 12 |
| | Door | 11 3/4 | 41 | 3/4 |
| W2742 | Cabinet | 27 | 42 | 12 |
| | Door | 13 1/4 | 41 | 3/4 |
| W3042 | Cabinet | 30 | 42 | 12 |
| | Door | 14 3/4 | 41 | 3/4 |
| W3342 | Cabinet | 33 | 42 | 12 |
| | Door | 16 1/4 | 41 | 3/4 |
| W3642 | Cabinet | 36 | 42 | 12 |
| | Door | 17 3/4 | 41 | 3/4 |
| W3942 | Cabinet | 39 | 42 | 12 |
| | Door | 19 1/4 | 41 | 3/4 |
| W4242 | Cabinet | 42 | 42 | 12 |
| | Door | 20 3/4 | 41 | 3/4 |
| W4842 | Cabinet | 48 | 42 | 12 |
| | Door | 23 1/2 | 41 | 3/4 |

Wall Cabinet Double Glass Doors

| Item Code | | W | H | D |
|-----------|---------|--------|----|-----|
| W2442GD | Cabinet | 24 | 42 | 24 |
| | Door | 15 1/4 | 41 | 3/4 |
| W3042GD | Cabinet | 30 | 42 | 12 |
| | Door | 14 3/4 | 41 | 3/4 |



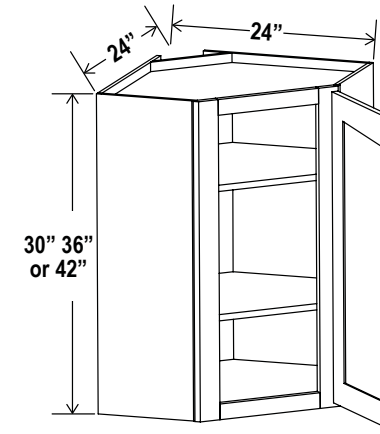
Clear glass included

42"H

24"W

Diagonal Corner Wall Single Door

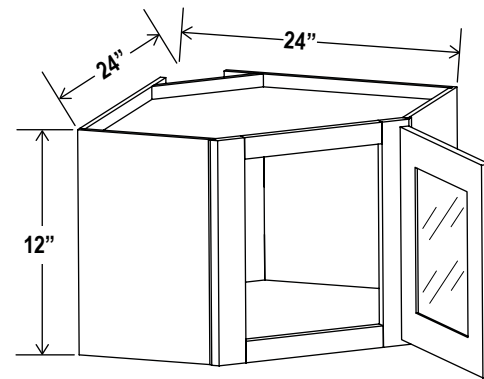
| Item Code | | W | H | D |
|-----------|---------|--------|----|-----|
| DCW2430 | Cabinet | 24 | 30 | 12 |
| | Door | 15 1/4 | 29 | 3/4 |
| DCW2436 | Cabinet | 24 | 36 | 12 |
| | Door | 15 1/4 | 35 | 3/4 |
| DCW2442 | Cabinet | 24 | 42 | 12 |
| | Door | 15 1/4 | 41 | 3/4 |



Two adjustable shelves

Diagonal Corner Wall Glass Door

| Item Code | | W | H | D |
|-----------|---------|--------|----|-----|
| DCW2412GD | Cabinet | 24 | 12 | 12 |
| | Door | 15 1/4 | 11 | 3/4 |



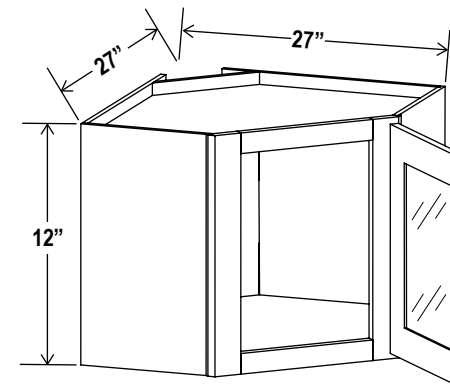
Clear glass included

24"W

27"W

Diagonal Corner Wall Single Door

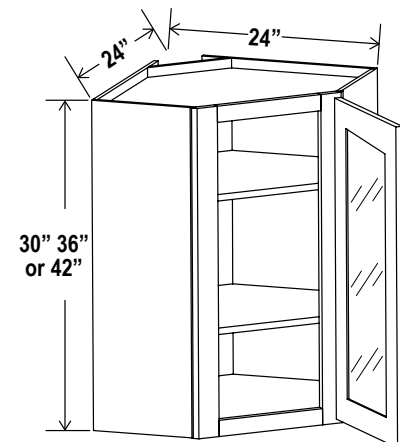
| Item Code | | W | H | D |
|-----------|---------|--------|----|-----|
| DCW2712GD | Cabinet | 27 | 12 | 15 |
| | Door | 15 1/4 | 11 | 3/4 |



Clear glass included

Diagonal Corner Wall Glass Door

| Item Code | | W | H | D |
|-----------|---------|--------|----|-----|
| DCW2430GD | Cabinet | 24 | 30 | 12 |
| | Door | 15 1/4 | 29 | 3/4 |
| DCW2436GD | Cabinet | 24 | 36 | 12 |
| | Door | 15 1/4 | 35 | 3/4 |
| DCW2442GD | Cabinet | 24 | 42 | 12 |
| | Door | 15 1/4 | 41 | 3/4 |



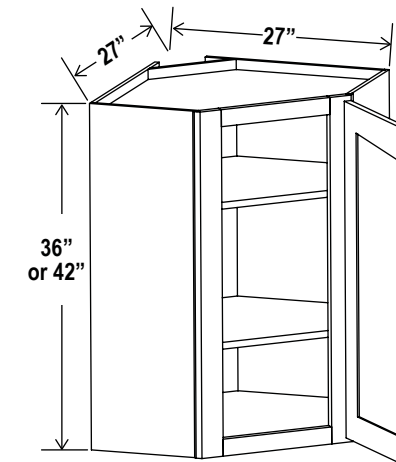
Clear glass included

24"W

27"W

Wall Cabinet Double Doors

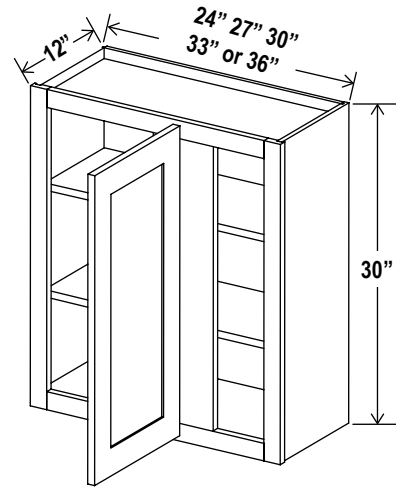
| Item Code | | W | H | D |
|-----------|---------|--------|----|-----|
| DCW2736 | Cabinet | 27 | 36 | 15 |
| | Door | 14 3/4 | 35 | 3/4 |
| DCW2742 | Cabinet | 27 | 42 | 15 |
| | Door | 15 1/4 | 41 | 3/4 |



Two adjustable shelves

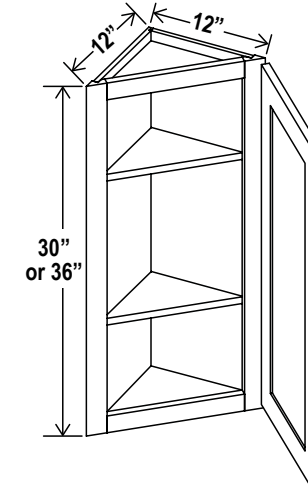
Wall Blind Corner Cabinet

| Item Code | | W | H | D |
|-----------|---------|---------|----|-----|
| WBC2430 | Cabinet | 24 | 30 | 12 |
| | Door | 9 9/16 | 29 | 3/4 |
| WBC2730 | Cabinet | 27 | 30 | 12 |
| | Door | 12 9/16 | 29 | 3/4 |
| WBC3030 | Cabinet | 30 | 30 | 12 |
| | Door | 15 1/2 | 29 | 3/4 |
| WBC3330 | Cabinet | 33 | 30 | 12 |
| | Door | 18 1/2 | 29 | 3/4 |
| WBC3630 | Cabinet | 36 | 30 | 12 |
| | Door | 21 9/16 | 29 | 3/4 |



Can be pulled to exact fit

12"W



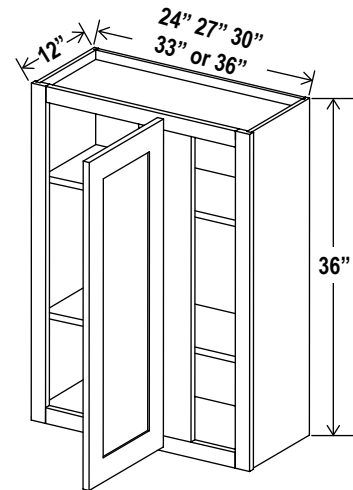
Two adjustable shelves

Angle Wall Cabinet

| Item Code | | W | H | D |
|-----------|---------|--------|----|-----|
| AW1230 | Cabinet | 12 | 30 | 12 |
| | Door | 15 3/5 | 29 | 3/4 |
| AW1236 | Cabinet | 12 | 36 | 12 |
| | Door | 15 3/5 | 41 | 3/4 |

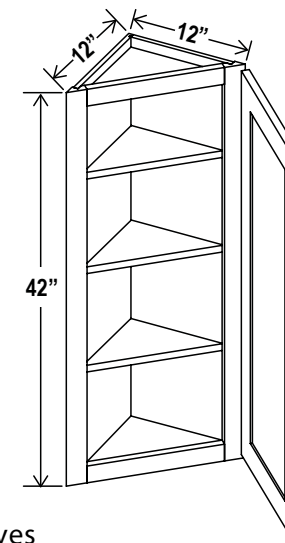
Wall Blind Corner Cabinet

| Item Code | | W | H | D |
|-----------|---------|---------|----|-----|
| WBC2436 | Cabinet | 24 | 36 | 12 |
| | Door | 9 9/16 | 35 | 3/4 |
| WBC2736 | Cabinet | 27 | 36 | 12 |
| | Door | 12 9/16 | 35 | 3/4 |
| WBC3036 | Cabinet | 30 | 36 | 12 |
| | Door | 15 1/2 | 35 | 3/4 |
| WBC3336 | Cabinet | 33 | 36 | 12 |
| | Door | 18 1/2 | 35 | 3/4 |
| WBC3636 | Cabinet | 36 | 36 | 12 |
| | Door | 21 9/16 | 35 | 3/4 |



Can be pulled to exact fit

12"W



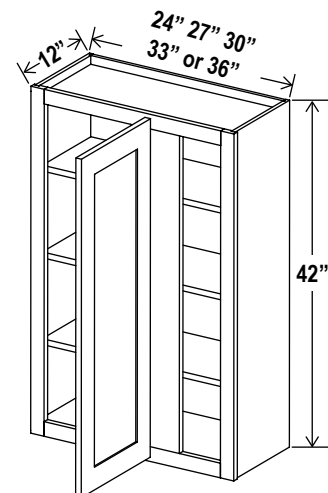
Three adjustable shelves

Angle Wall Cabinet

| Item Code | | W | H | D |
|-----------|---------|--------|----|-----|
| AW1242 | Cabinet | 12 | 42 | 12 |
| | Door | 15 3/5 | 41 | 3/4 |

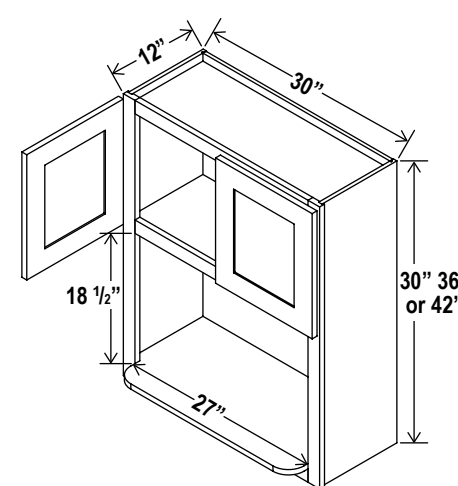
Wall Blind Corner Cabinet

| Item Code | | W | H | D |
|-----------|---------|---------|----|-----|
| WBC2442 | Cabinet | 24 | 42 | 12 |
| | Door | 9 9/16 | 41 | 3/4 |
| WBC2742 | Cabinet | 27 | 42 | 12 |
| | Door | 12 9/16 | 41 | 3/4 |
| WBC3042 | Cabinet | 30 | 42 | 12 |
| | Door | 15 1/2 | 41 | 3/4 |
| WBC3342 | Cabinet | 33 | 42 | 12 |
| | Door | 18 1/2 | 41 | 3/4 |
| WBC3642 | Cabinet | 36 | 42 | 12 |
| | Door | 21 9/16 | 41 | 3/4 |



Can be pulled to exact fit

30"W



Microwave Wall Cabinet

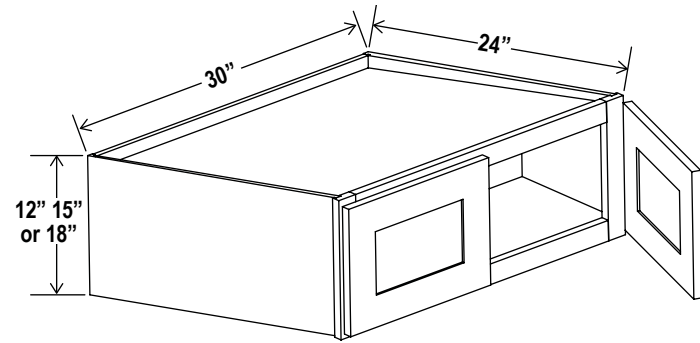
| Item Code | | W | H | D |
|-----------|---------|--------|--------|-----|
| MO3030 | Cabinet | 30 | 30 | 12 |
| | Door | 14 5/7 | 9 1/4 | 3/4 |
| MO3036 | Cabinet | 30 | 36 | 12 |
| | Door | 14 5/7 | 15 1/4 | 3/4 |
| MO3042 | Cabinet | 30 | 42 | 12 |
| | Door | 14 5/7 | 21 1/4 | 3/4 |

Opening Dimensions: 27 W x 18 1/2 H

Refrigerator Wall Cabinet Double Doors

30"W

| Item Code | | W | H | D |
|-----------|---------|--------|----|-----|
| W301224 | Cabinet | 30 | 12 | 24 |
| | Door | 14 3/4 | 11 | 3/4 |
| W301524 | Cabinet | 30 | 15 | 24 |
| | Door | 14 3/4 | 14 | 3/4 |
| W301824 | Cabinet | 30 | 18 | 24 |
| | Door | 14 3/4 | 17 | 3/4 |

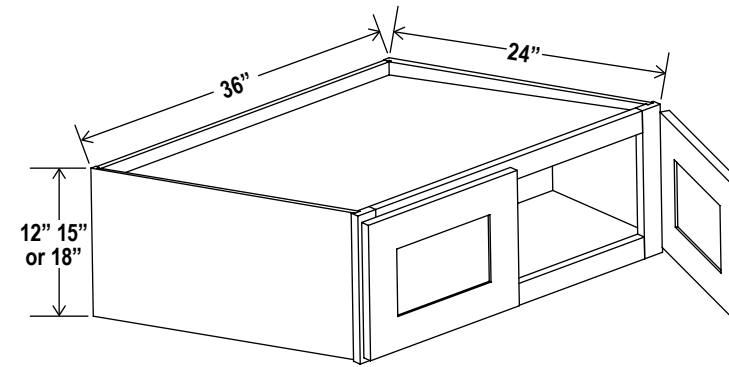


No Shelf

36"W

Refrigerator Wall Cabinet Double Doors

| Item Code | | W | H | D |
|-----------|---------|--------|----|-----|
| W361224 | Cabinet | 36 | 12 | 24 |
| | Door | 17 3/4 | 11 | 3/4 |
| W361524 | Cabinet | 36 | 15 | 24 |
| | Door | 17 3/4 | 14 | 3/4 |
| W361824 | Cabinet | 36 | 18 | 24 |
| | Door | 17 3/4 | 17 | 3/4 |

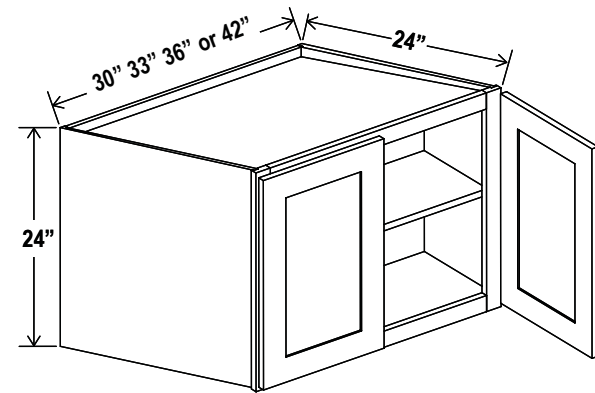


No Shelf

Refrigerator Wall Cabinet Double Doors

24"H

| Item Code | | W | H | D |
|-----------|---------|--------|----|-----|
| W302424 | Cabinet | 30 | 24 | 24 |
| | Door | 14 3/4 | 23 | 3/4 |
| W332424 | Cabinet | 33 | 24 | 24 |
| | Door | 16 1/4 | 23 | 3/4 |
| W362424 | Cabinet | 36 | 24 | 24 |
| | Door | 17 3/4 | 23 | 3/4 |
| W422424 | Cabinet | 42 | 24 | 24 |
| | Door | 20 | 23 | 3/4 |

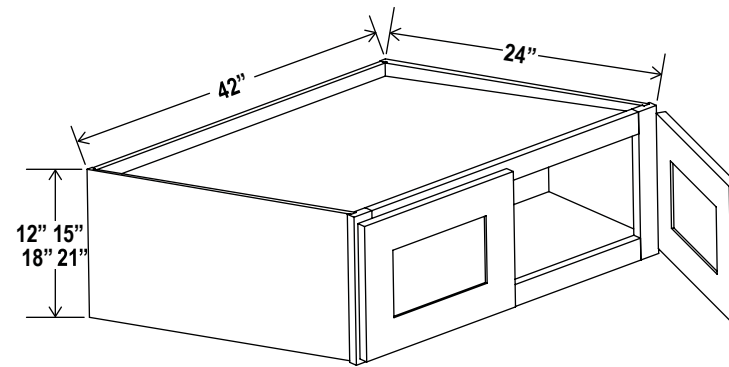


One adjustable shelf

42"W

Refrigerator Wall Cabinet Double Doors

| Item Code | | W | H | D |
|-----------|---------|--------|----|-----|
| W421224 | Cabinet | 42 | 12 | 24 |
| | Door | 20 3/4 | 11 | 3/4 |
| W421524 | Cabinet | 42 | 15 | 24 |
| | Door | 20 3/4 | 14 | 3/4 |
| W421824 | Cabinet | 42 | 18 | 24 |
| | Door | 20 3/4 | 17 | 3/4 |
| W422124 | Cabinet | 42 | 20 | 24 |
| | Door | 20 3/4 | 19 | 3/4 |

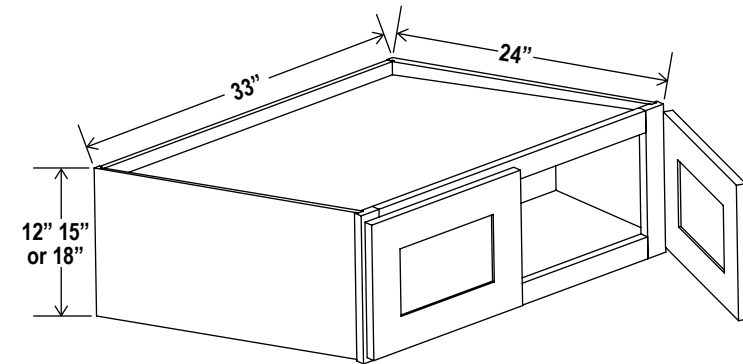


No Shelf

Refrigerator Wall Cabinet Double Doors

33"W

| Item Code | | W | H | D |
|-----------|---------|--------|----|-----|
| W331224 | Cabinet | 33 | 12 | 24 |
| | Door | 14 3/4 | 11 | 3/4 |
| W331524 | Cabinet | 33 | 15 | 24 |
| | Door | 16 1/4 | 14 | 3/4 |
| W331824 | Cabinet | 33 | 18 | 24 |
| | Door | 16 1/4 | 17 | 3/4 |



No Shelf

30"H

Wall Easy Reach Corner Cabinet

| Item Code | | W | H | D |
|-----------|---------|--------|----|-----|
| WER2430 | Cabinet | 24 | 30 | 12 |
| | Door | 10 3/4 | 29 | 3/4 |

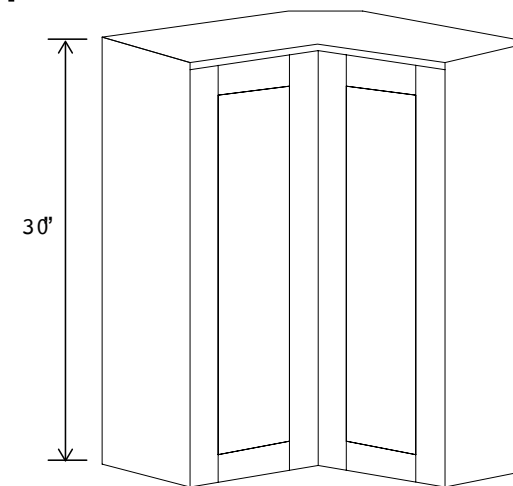
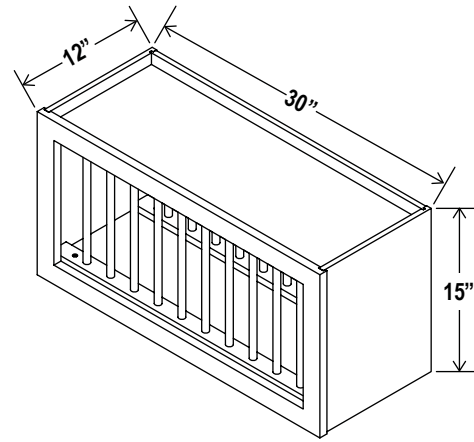


Plate Rack

| Item Code | | W | H | D |
|-----------|---------|----|----|----|
| PR3015 | Cabinet | 30 | 15 | 12 |

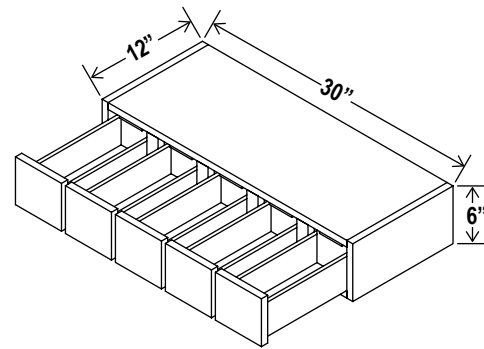


15"H

10 plate slots

Wall Spice Drawer

| Item Code | | W | H | D |
|-----------|---------|----|---|----|
| WSD630 | Cabinet | 30 | 6 | 12 |

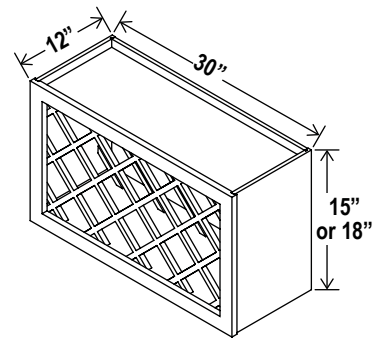


6"H

5 drawers

Wine Rack

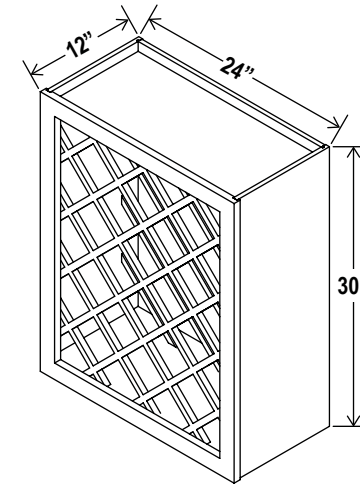
| Item Code | | W | H | D |
|-----------|---------|----|----|----|
| WRC3015 | Cabinet | 30 | 15 | 12 |
| WRC3018 | Cabinet | 30 | 18 | 12 |



30"W

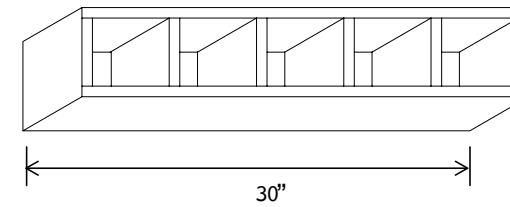
Can install vertically or horizontally

30"H



Can install vertically or horizontally

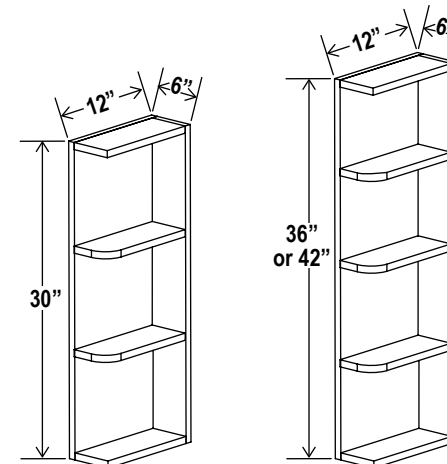
6"H



Wall Wine Cube Cabinet

| Item Code | | W | H | D |
|-----------|---------|----|---|----|
| WRC630 | Cabinet | 30 | 6 | 12 |

6"W



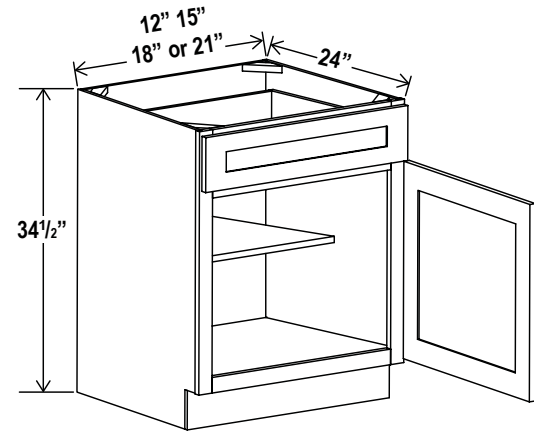
Matching color interior

Open End Shelf

| Item Code | | W | H | D |
|-----------|---------|---|----|----|
| OE630 | Cabinet | 6 | 30 | 12 |
| OE636 | Cabinet | 6 | 36 | 12 |
| OE642 | Cabinet | 6 | 42 | 12 |

Base Cabinet Single Door

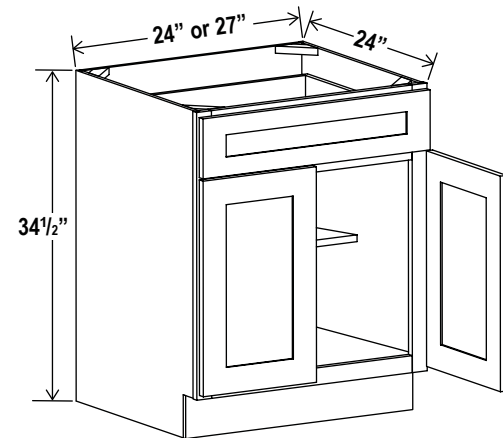
| Item Code | | W | H | D |
|-----------|---------|--------|--------|-----|
| B12 | Cabinet | 12 | 34 1/2 | 24 |
| | Door | 11 1/2 | 22 | 3/4 |
| | Drawer | 11 1/2 | 6 1/4 | 3/4 |
| B15 | Cabinet | 15 | 34 1/2 | 24 |
| | Door | 14 1/2 | 22 1/2 | 3/4 |
| | Drawer | 14 1/2 | 6 1/4 | 3/4 |
| B18 | Cabinet | 18 | 34 1/2 | 24 |
| | Door | 17 1/2 | 22 1/2 | 3/4 |
| | Drawer | 17 1/2 | 6 1/4 | 3/4 |
| B21 | Cabinet | 21 | 34 1/2 | 24 |
| | Door | 20 1/2 | 22 1/2 | 3/4 |
| | Drawer | 20 1/2 | 6 1/4 | 3/4 |



One drawer

Base Cabinet Double Doors

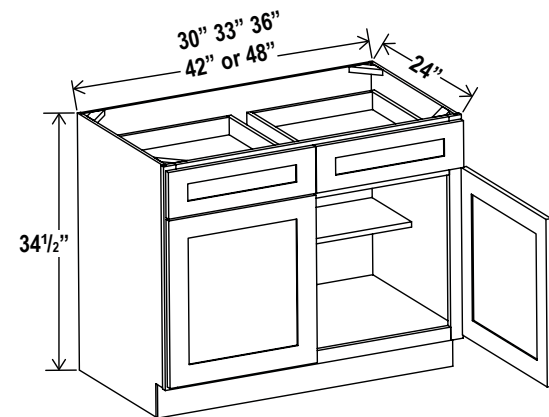
| Item Code | | W | H | D |
|-----------|---------|--------|--------|-----|
| B24 | Cabinet | 24 | 34 1/2 | 24 |
| | Door | 11 3/4 | 22 1/2 | 3/4 |
| | Drawer | 23 1/2 | 6 1/4 | 3/4 |
| B27 | Cabinet | 27 | 34 1/2 | 24 |
| | Door | 13 1/4 | 22 1/2 | 3/4 |
| | Drawer | 26 1/2 | 6 1/4 | 3/4 |



One drawer

Base Cabinet Double Doors

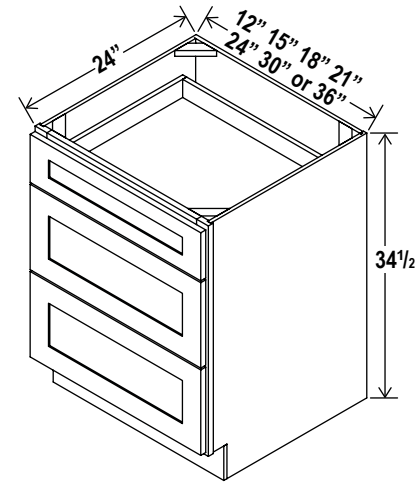
| Item Code | | W | H | D |
|-----------|---------|--------|--------|-----|
| B30 | Cabinet | 30 | 34 1/2 | 24 |
| | Door | 14 3/4 | 22 1/2 | 3/4 |
| | Drawer | 14 3/4 | 6 1/4 | 3/4 |
| B33 | Cabinet | 33 | 34 1/2 | 24 |
| | Door | 16 1/4 | 22 1/2 | 3/4 |
| | Drawer | 16 1/4 | 6 1/4 | 3/4 |
| B36 | Cabinet | 36 | 34 1/2 | 24 |
| | Door | 17 3/4 | 22 1/2 | 3/4 |
| | Drawer | 17 3/4 | 6 1/4 | 3/4 |
| B42 | Cabinet | 42 | 34 1/2 | 24 |
| | Door | 20 3/4 | 22 1/2 | 3/4 |
| | Drawer | 20 3/4 | 6 1/4 | 3/4 |
| B48 | Cabinet | 48 | 34 1/2 | 24 |
| | Door | 23 3/4 | 22 1/2 | 3/4 |
| | Drawer | 23 3/4 | 6 1/4 | 3/4 |



Two drawers

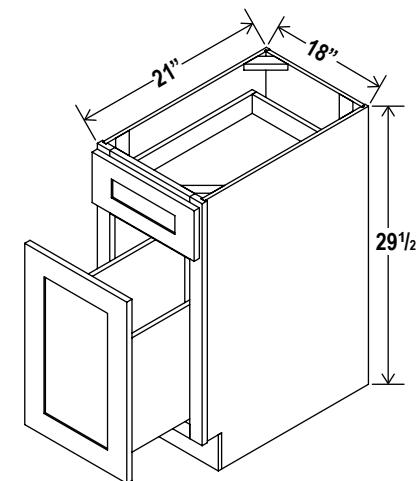
Drawer Base

| Item Code | | W | H | D |
|-----------|---------------|--------|--------|-----|
| 3DB12 | Cabinet | 12 | 34 1/2 | 24 |
| | Top Drawer | 11 1/2 | 6 1/4 | 3/4 |
| | Bottom Drawer | 11 1/2 | 11 1/8 | 3/4 |
| 3DB15 | Cabinet | 15 | 34 1/2 | 24 |
| | Top Drawer | 14 1/2 | 6 1/4 | 3/4 |
| | Bottom Drawer | 14 1/2 | 11 1/8 | 3/4 |
| 3DB18 | Cabinet | 18 | 34 1/2 | 24 |
| | Top Drawer | 17 1/2 | 6 1/4 | 3/4 |
| | Bottom Drawer | 17 1/2 | 11 1/8 | 3/4 |
| 3DB21 | Cabinet | 21 | 34 1/2 | 24 |
| | Top Drawer | 20 1/2 | 6 1/4 | 3/4 |
| | Bottom Drawer | 20 1/2 | 11 1/8 | 3/4 |
| 3DB24 | Cabinet | 24 | 34 1/2 | 24 |
| | Top Drawer | 23 1/2 | 6 1/4 | 3/4 |
| | Bottom Drawer | 23 1/2 | 11 1/8 | 3/4 |
| 3DB30 | Cabinet | 30 | 34 1/2 | 24 |
| | Top Drawer | 29 1/2 | 6 1/4 | 3/4 |
| | Bottom Drawer | 29 1/2 | 11 1/8 | 3/4 |
| 3DB36 | Cabinet | 36 | 34 1/2 | 24 |
| | Top Drawer | 35 1/2 | 6 1/4 | 3/4 |
| | Bottom Drawer | 35 1/2 | 11 1/8 | 3/4 |



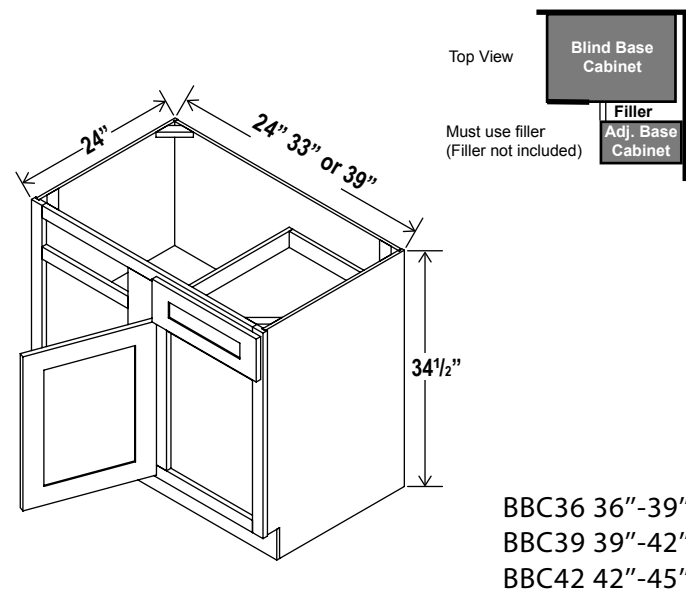
Document File Base Cabinet

| Item Code | | W | H | D |
|-----------|---------------|--------|--------|-----|
| DFB18 | Cabinet | 18 | 29 1/2 | 21 |
| | Top Drawer | 17 1/2 | 6 1/4 | 3/4 |
| | Bottom Drawer | 17 1/2 | 17 1/2 | 3/4 |



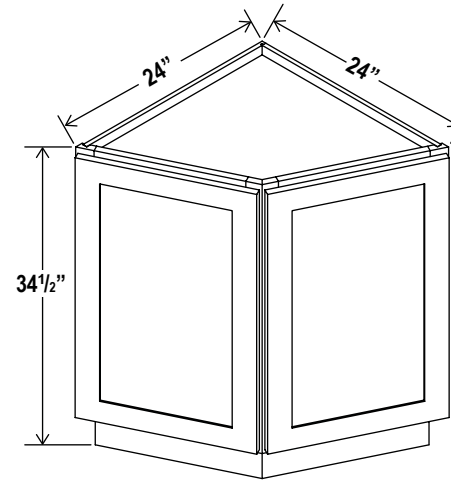
Blind Corner Base Cabinet

| Item Code | | W | H | D |
|--------------------------|---------|--------|--------|-----|
| BBC36 | Cabinet | 33 | 34 1/2 | 24 |
| | Door | 10 | 22 1/2 | 3/4 |
| | Drawer | 10 | 6 1/4 | 3/4 |
| Install range: 36" - 39" | | | | |
| BBC39 | Cabinet | 36 | 34 1/2 | 24 |
| | Door | 12 3/4 | 22 1/2 | 3/4 |
| | Drawer | 11 3/4 | 6 1/4 | 3/4 |
| Install range: 39" - 42" | | | | |
| BBC42 | Cabinet | 39 | 34 1/3 | 24 |
| | Door | 15 3/4 | 22 1/2 | 3/4 |
| | Drawer | 15 3/4 | 6 1/4 | 3/4 |
| Install range: 42" - 45" | | | | |



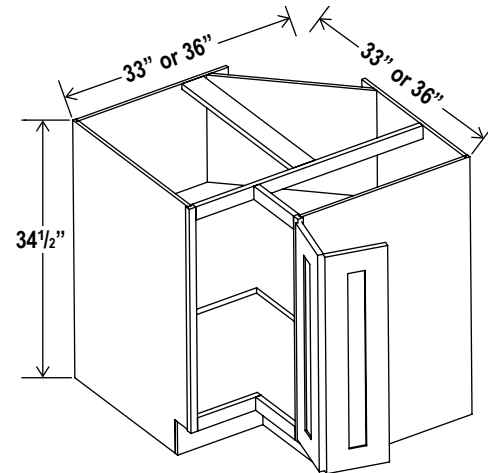
Base End Cabinet

| Item Code | | W | H | D |
|-----------|---------|--------|--------|-----|
| BEC24 | Cabinet | 24 | 34 1/2 | 24 |
| | Door | 17 1/2 | 29 | 3/4 |



Easy Reach Base Cabinet

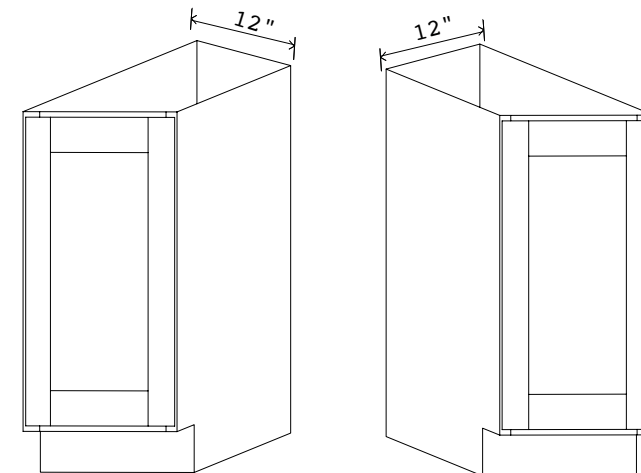
| Item Code | | W | H | D |
|-----------|---------|--------|--------|-----|
| ERB33 | Cabinet | 33 | 34 1/2 | 24 |
| | Door | 7 5/8 | 29 | 3/4 |
| ERB36 | Cabinet | 36 | 34 1/2 | 24 |
| | Door | 10 5/8 | 29 | 3/4 |



One bi-fold door

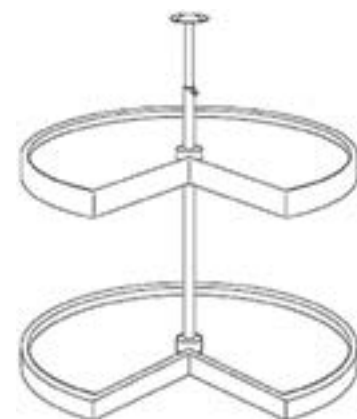
Base End Cabinet

| Item Code | | W | H | D |
|-----------|---------|--------|--------|-----|
| BEC12L | Cabinet | 12 | 34 1/2 | 24 |
| | Door | 14 1/2 | 29 | 3/4 |
| BEC12R | Cabinet | 12 | 34 1/2 | 24 |
| | Door | 14 1/2 | 29 | 3/4 |



Wood Tray/Chrome Tray

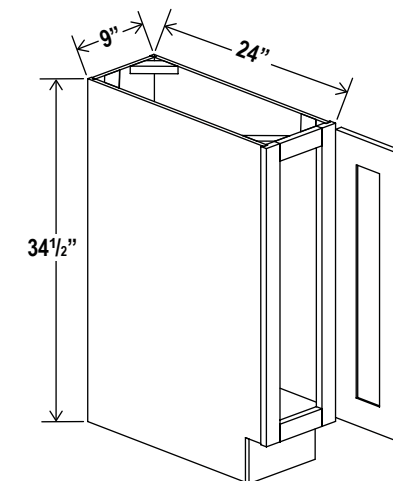
| Item Code |
|--------------|
| Wood Tray |
| ChromeTray33 |
| ChromeTray36 |



Add to ERB for Lazy Susan

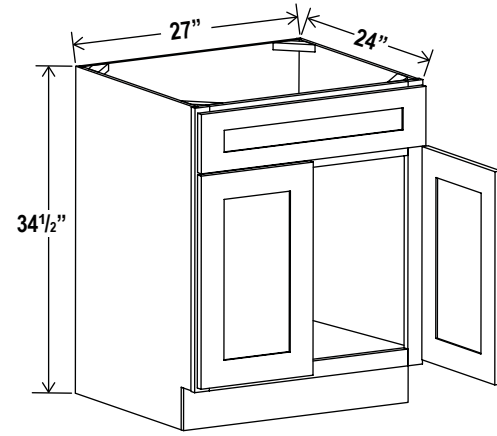
Base Tray

| Item Code | | W | H | D |
|-----------|---------|-------|--------|-----|
| BT09 | Cabinet | 9 | 34 1/2 | 24 |
| | Door | 8 1/2 | 29 | 3/4 |



Sink Base

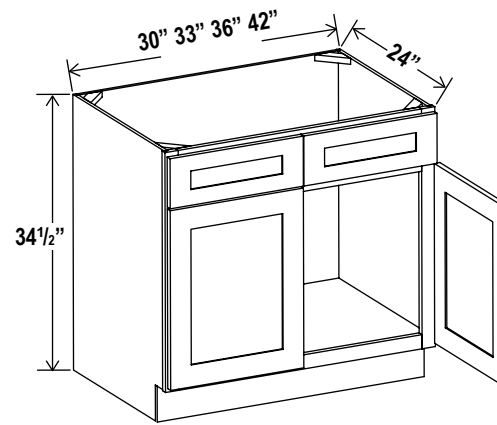
| Item Code | | W | H | D |
|-----------|---------|--------|--------|-----|
| SB27 | Cabinet | 27 | 34 1/2 | 24 |
| | Door | 13 1/4 | 22 1/2 | 3/4 |
| | Drawer | 26 1/2 | 6 1/4 | 3/4 |



One dummy drawer

Sink Base

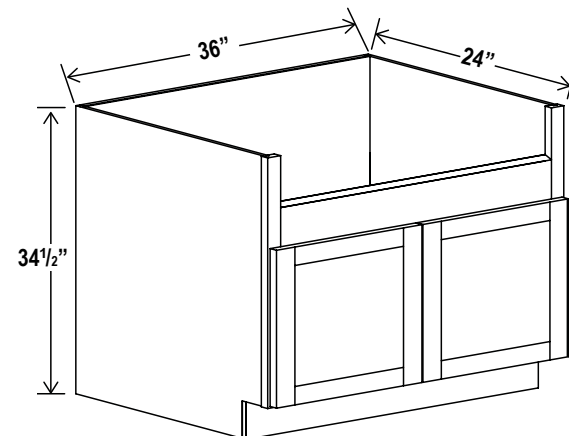
| Item Code | | W | H | D |
|-----------|---------|--------|--------|-----|
| SB30 | Cabinet | 30 | 34 1/2 | 24 |
| | Door | 14 3/4 | 22 1/2 | 3/4 |
| | Drawer | 14 3/4 | 6 1/4 | 3/4 |
| SB33 | Cabinet | 33 | 34 1/2 | 24 |
| | Door | 16 1/4 | 22 1/2 | 3/4 |
| | Drawer | 16 1/4 | 6 1/4 | 3/4 |
| SB36 | Cabinet | 36 | 34 1/2 | 24 |
| | Door | 17 3/4 | 22 1/2 | 3/4 |
| | Drawer | 17 3/4 | 6 1/4 | 3/4 |
| SB42 | Cabinet | 42 | 34 1/2 | 24 |
| | Door | 20 3/4 | 22 1/2 | 3/4 |
| | Drawer | 20 3/4 | 6 1/4 | 3/4 |



Two dummy drawers

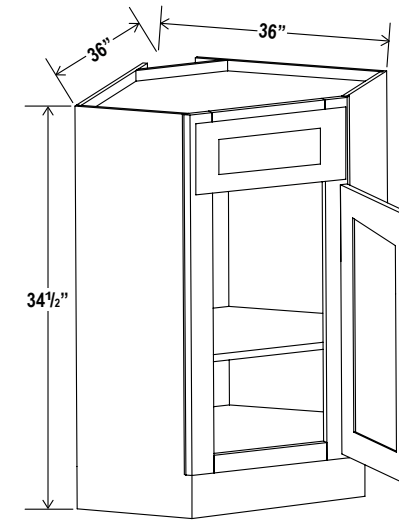
Farmhouse Sink Base

| Item Code | | W | H | D |
|-----------|---------|--------|--------|-----|
| FSB36 | Cabinet | 36 | 34 1/2 | 24 |
| | Door | 17 5/8 | 16 1/2 | 3/4 |



Corner Sink Base Cabinet

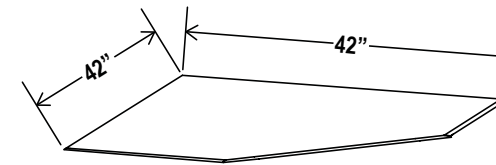
| Item Code | | W | H | D |
|-----------|---------|--------|--------|-----|
| CSB36 | Cabinet | 36 | 34 1/2 | 24 |
| | Door | 15 1/4 | 22 1/4 | 3/4 |
| | Drawer | 15 1/4 | 6 1/4 | 3/4 |



One dummy drawer

Corner Sink Base Floor

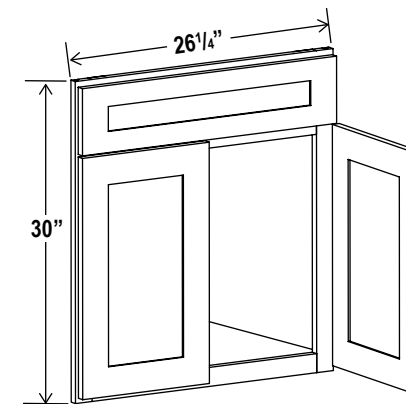
| Item Code | | W |
|-----------|---------|----|
| SBF4242 | Cabinet | 42 |



For use with DCSF42

Corner Sink Base Front

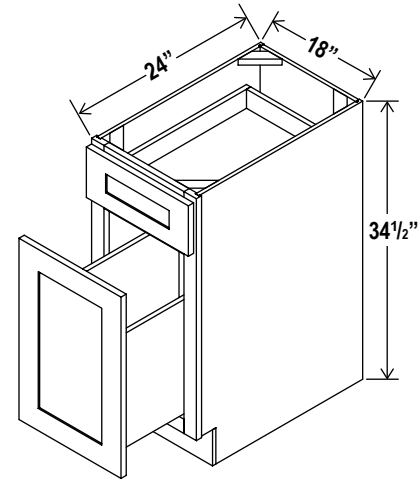
| Item Code | | W | H | D |
|-----------|---------|--------|--------|-----|
| DSCF42 | Cabinet | 26 1/4 | 30 | 3/4 |
| | Door | 11 3/4 | 22 1/2 | 3/4 |
| | Drawer | 23 1/2 | 6 1/4 | 3/4 |



For use with SBF4242

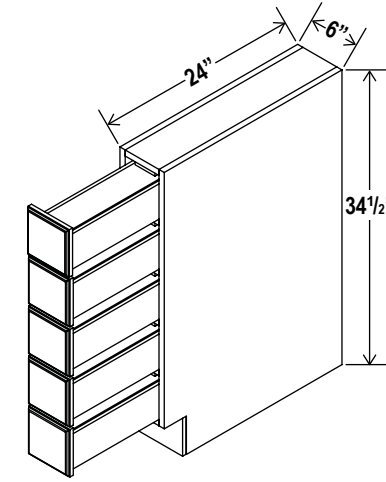
Base Waste Basket Cabinet

| Item Code | | W | H | D |
|-----------|---------------|--------|--------|-----|
| BWB18 | Cabinet | 18 | 34 1/2 | 24 |
| | Top Drawer | 17 1/2 | 6 1/4 | 3/4 |
| | Bottom Drawer | 17 1/2 | 22 1/2 | 3/4 |



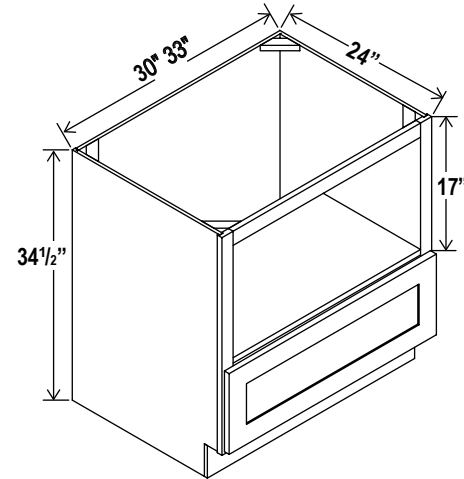
Base Spice Drawer

| Item Code | | W | H | D |
|-----------|---------|---|--------|----|
| BSDC6 | Cabinet | 6 | 34 1/2 | 24 |



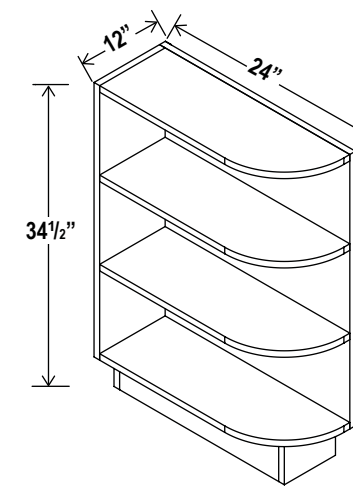
Microwave Base Cabinet

| Item Code | | W | H | D |
|-----------------------------------|---------|--------|--------|-----|
| MB30 | Cabinet | 30 | 34 1/2 | 24 |
| | Drawer | 29 1/2 | 10 1/2 | 3/4 |
| Opening Dimensions: 27\"W x 17\"H | | | | |
| MB33 | Cabinet | 33 | 34 1/2 | 24 |
| | Drawer | 32 1/2 | 10 1/2 | 3/4 |
| Opening Dimensions: 30\"W x 17\"H | | | | |



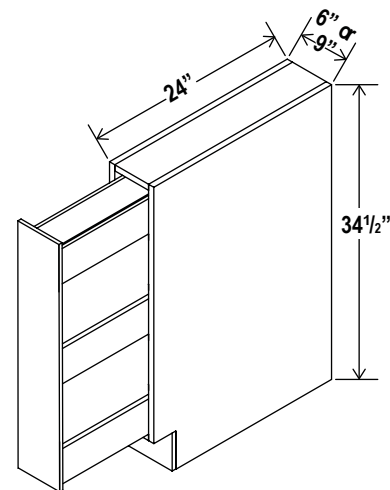
Base End Shelf

| Item Code | | W | H | D |
|-----------|---------|----|--------|----|
| BES12 | Cabinet | 12 | 34 1/2 | 24 |



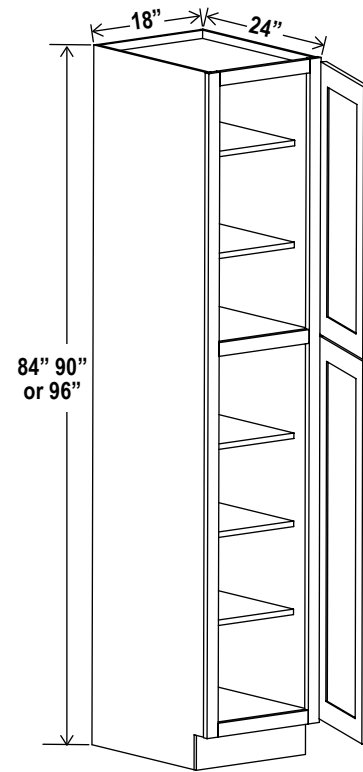
Spice Pull Base Cabinet

| Item Code | | W | H | D |
|-----------|---------|-------|--------|-----|
| SPB6 | Cabinet | 6 | 34 1/2 | 24 |
| | Drawer | 5 1/2 | 29 | 3/4 |
| SPB9 | Cabinet | 9 | 34 1/2 | 24 |
| | Drawer | 8 1/2 | 29 | 3/4 |



Utility Pantry

| Item Code | | W | H | D |
|-----------|------------|--------|--------|-----|
| U188424 | Cabinet | 18 | 84 | 24 |
| | Top Door | 17 1/2 | 29 | 3/4 |
| | BottomDoor | 17 1/2 | 49 1/4 | 3/4 |
| U189024 | Cabinet | 18 | 90 | 24 |
| | Top Door | 17 1/2 | 35 | 3/4 |
| | BottomDoor | 17 1/2 | 49 1/4 | 3/4 |
| U189624 | Cabinet | 18 | 96 | 24 |
| | Top Door | 17 1/2 | 41 | 3/4 |
| | BottomDoor | 17 1/2 | 49 1/4 | 3/4 |



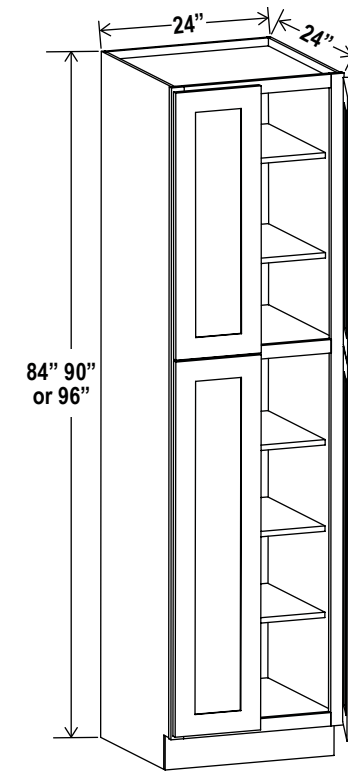
Two adjustable top shelves
 Three bottom shelves
 Note: Roll out shelf kits available

18"W

24"W

Utility Pantry

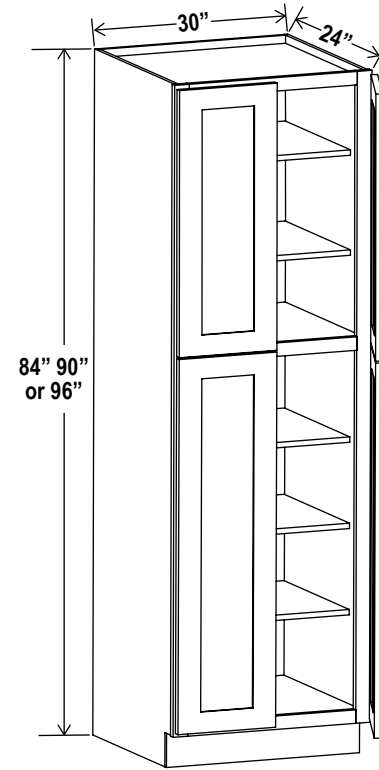
| Item Code | | W | H | D |
|-----------|------------|--------|--------|-----|
| U248424 | Cabinet | 24 | 84 | 24 |
| | Top Door | 11 3/4 | 29 | 3/4 |
| | BottomDoor | 11 3/4 | 49 1/4 | 3/4 |
| U249024 | Cabinet | 24 | 90 | 24 |
| | Top Door | 11 3/4 | 35 | 3/4 |
| | BottomDoor | 11 3/4 | 49 1/2 | 3/4 |
| U249624 | Cabinet | 24 | 96 | 24 |
| | Top Door | 11 3/4 | 41 | 3/4 |
| | BottomDoor | 11 3/4 | 49 1/4 | 3/4 |



Two adjustable top shelves
 Three bottom shelves
 Note: Roll out shelf kits available

Utility Pantry

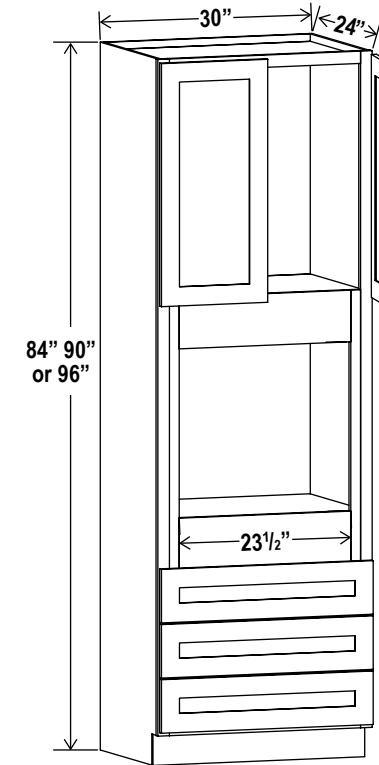
| Item Code | | W | H | D |
|-----------|-------------|--------|--------|-----|
| U308424 | Cabinet | 30 | 84 | 24 |
| | Top Door | 14 3/4 | 29 | 3/4 |
| | Bottom Door | 14 3/4 | 49 1/4 | 3/4 |
| U309024 | Cabinet | 30 | 90 | 24 |
| | Top Door | 14 3/4 | 35 | 3/4 |
| | Bottom Door | 14 3/4 | 49 1/4 | 3/4 |
| U309624 | Cabinet | 30 | 96 | 24 |
| | Top Door | 14 3/4 | 41 | 3/4 |
| | Bottom Door | 14 3/4 | 49 1/4 | 3/4 |



Two adjustable top shelves
 Three bottom shelves
 Note: Roll out shelf kits available

30"W

30"W



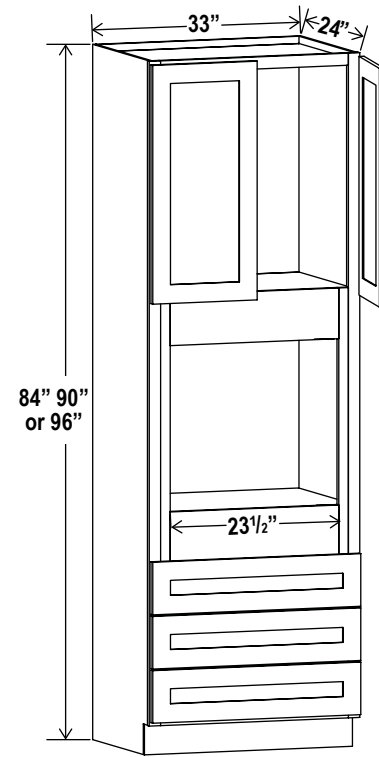
Two doors
 One large open shelf
 Three bottom drawers
 Note: Drawers may be removed to accommodate double ovens.

Oven Pantry

| Item Code | | W | H | D |
|-------------------------------------|---------|--------|-------|-----|
| O308424 | Cabinet | 30 | 84 | 24 |
| | Door | 14 3/4 | 17 | 3/4 |
| | Drawer | 29 1/2 | 7 3/4 | 3/4 |
| Opening Dimensions: 24 W x 24 3/8 H | | | | |
| O309024 | Cabinet | 30 | 90 | 24 |
| | Door | 14 3/4 | 23 | 3/4 |
| | Drawer | 29 1/2 | 7 3/4 | 3/4 |
| Opening Dimensions: 24 W x 24 3/8 H | | | | |
| O309624 | Cabinet | 30 | 96 | 24 |
| | Door | 14 3/4 | 29 | 3/4 |
| | Drawer | 29 1/2 | 7 3/4 | 3/4 |
| Opening Dimensions: 24 W x 24 3/8 H | | | | |

Oven Pantry

| Item Code | | W | H | D |
|-------------------------------------|---------|--------|-------|-----|
| O338424 | Cabinet | 33 | 84 | 24 |
| | Door | 16 3/4 | 17 | 3/4 |
| | Drawer | 32 1/2 | 7 3/4 | 3/4 |
| Opening Dimensions: 27 W x 24 3/8 H | | | | |
| O339024 | Cabinet | 33 | 90 | 24 |
| | Door | 16 3/4 | 23 | 3/4 |
| | Drawer | 32 1/2 | 7 3/4 | 3/4 |
| Opening Dimensions: 27 W x 24 3/8 H | | | | |
| O339624 | Cabinet | 33 | 96 | 24 |
| | Door | 16 3/4 | 29 | 3/4 |
| | Drawer | 32 1/2 | 7 3/4 | 3/4 |
| Opening Dimensions: 27 W x 24 3/8 H | | | | |

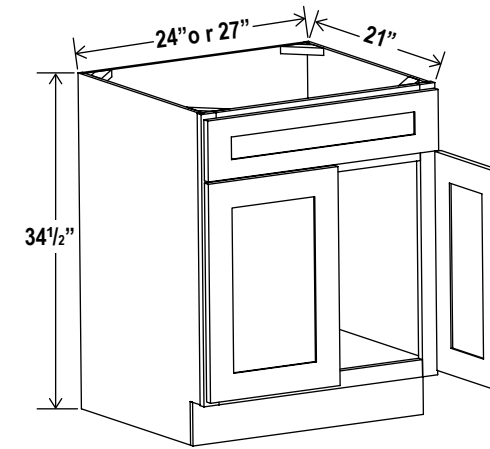


Two doors
One large open shelf
Three bottom drawers
Note: Drawers may be removed to accommodate double ovens.

33"W

Vanity Sink Base

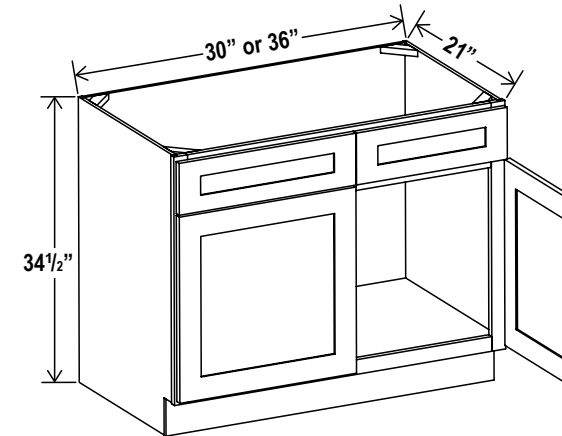
| Item Code | | W | H | D |
|-----------|---------|--------|--------|-----|
| VS24 | Cabinet | 24 | 34 1/2 | 21 |
| | Door | 11 3/4 | 22 1/2 | 3/4 |
| | Drawer | 23 1/4 | 6 1/4 | 3/4 |
| VS27 | Cabinet | 27 | 34 1/2 | 21 |
| | Door | 13 1/4 | 22 1/3 | 3/4 |
| | Drawer | 26 1/2 | 6 1/4 | 3/4 |



One dummy drawer

Vanity Sink Base

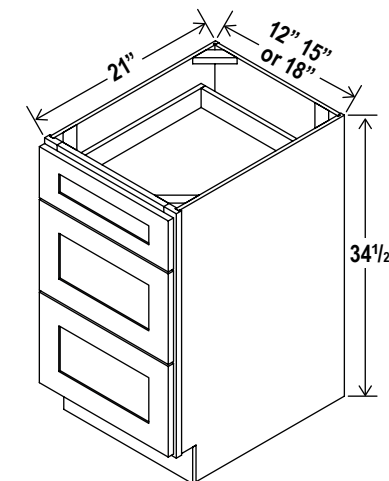
| Item Code | | W | H | D |
|-----------|---------|--------|--------|-----|
| VS30 | Cabinet | 30 | 34 1/2 | 21 |
| | Door | 14 3/4 | 22 1/2 | 3/4 |
| | Drawer | 14 3/4 | 6 1/4 | 3/4 |
| VS36 | Cabinet | 36 | 34 1/2 | 21 |
| | Door | 17 3/4 | 22 1/2 | 3/4 |
| | Drawer | 17 3/4 | 6 1/4 | 3/4 |



Two dummy drawers

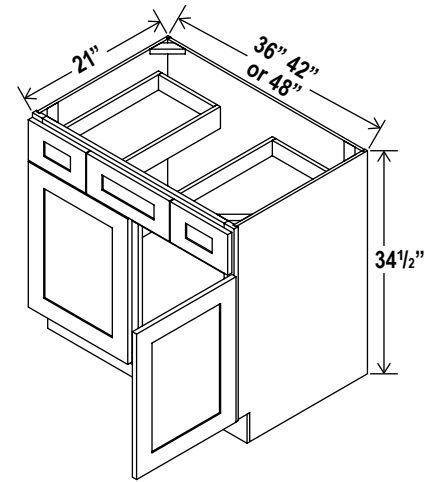
Vanity Drawer Base Cabinet

| Item Code | | W | H | D |
|-----------|---------------|--------|--------|-----|
| 3DVB12 | Cabinet | 12 | 34 1/2 | 21 |
| | Top Drawer | 11 1/2 | 6 1/4 | 3/4 |
| | Bottom Drawer | 11 1/2 | 11 1/8 | 3/4 |
| 3DVB15 | Cabinet | 15 | 34 1/2 | 21 |
| | Top Drawer | 14 1/2 | 6 1/4 | 3/4 |
| | Bottom Drawer | 14 1/2 | 11 1/8 | 3/4 |
| 3DVB18 | Cabinet | 18 | 34 1/2 | 21 |
| | Top Drawer | 17 1/2 | 6 1/4 | 3/4 |
| | Bottom Drawer | 17 1/2 | 11 1/8 | 3/4 |



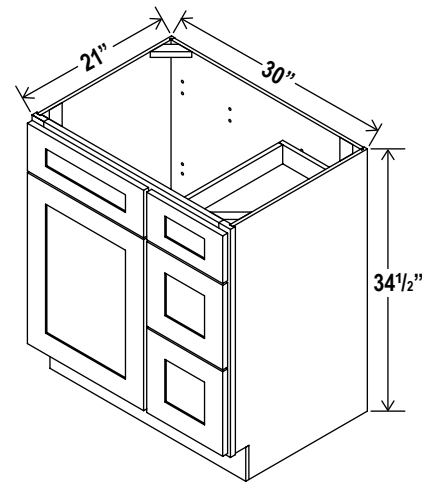
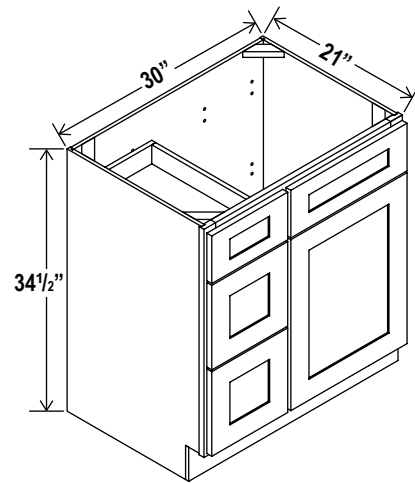
Vanity Combo

| Item Code | | W | H | D |
|-----------|---------------|--------|--------|-----|
| VSD36 | Cabinet | 36 | 34 1/2 | 21 |
| | Door | 17 3/4 | 22 1/2 | 3/4 |
| | OutsideDrawer | 10 1/4 | 6 1/4 | 3/4 |
| | CenterDrawer | 14 1/2 | 6 1/4 | 3/4 |
| VSD42 | Cabinet | 42 | 34 1/2 | 21 |
| | Door | 20 3/4 | 22 1/2 | 3/4 |
| | OutsideDrawer | 11 1/2 | 6 1/4 | 3/4 |
| | CenterDrawer | 18 | 6 1/4 | 3/4 |
| VSD48 | Cabinet | 48 | 34 1/2 | 21 |
| | Door | 23 3/4 | 22 1/2 | 3/4 |
| | OutsideDrawer | 14 1/2 | 6 1/4 | 3/4 |
| | CenterDrawer | 18 | 6 1/4 | 3/4 |



Vanity Combo

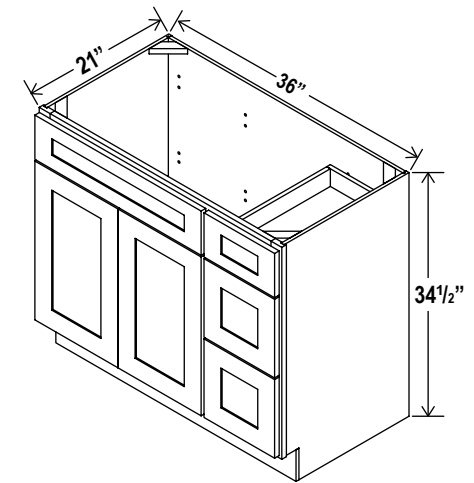
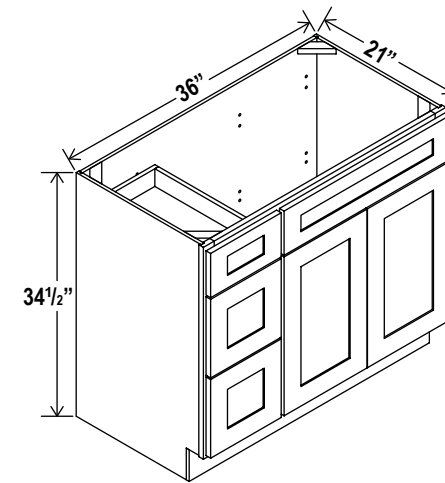
| Item Code | | W | H | D |
|-----------|--------------|--------|--------|-----|
| V3021DL | Cabinet | 30 | 34 1/2 | 21 |
| | Door | 17 1/2 | 22 1/2 | 3/4 |
| | Long Drawer | 17 1/2 | 6 1/4 | 3/4 |
| | Top Drawer | 17 1/2 | 6 1/4 | 3/4 |
| | BottomDrawer | 11 1/2 | 11 1/8 | 3/4 |
| V3021DR | Cabinet | 30 | 34 1/2 | 21 |
| | Door | 17 1/2 | 22 1/2 | 3/4 |
| | Long Drawer | 17 1/2 | 6 1/4 | 3/4 |
| | Top Drawer | 17 1/2 | 6 1/4 | 3/4 |
| | BottomDrawer | 11 1/2 | 11 1/8 | 3/4 |



V3021DL: 30" combo with drawers on left
V3021DR: 30" combo with drawers on right

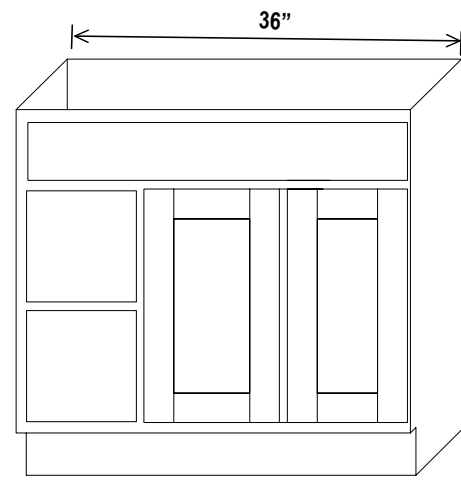
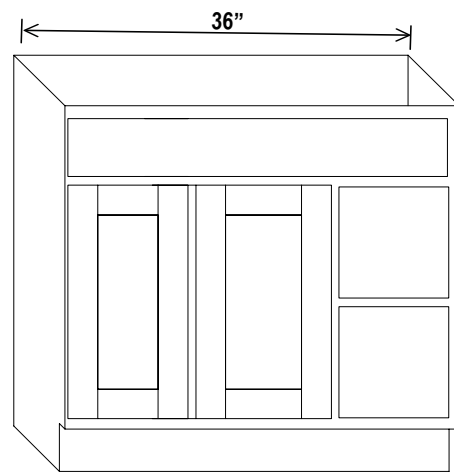
Vanity Combo

| Item Code | | W | H | D |
|-----------|--------------|--------|--------|-----|
| V3621DL | Cabinet | 36 | 34 1/2 | 21 |
| | Door | 11 3/4 | 22 1/2 | 3/4 |
| | Long Drawer | 23 1/2 | 6 1/4 | 3/4 |
| | Top Drawer | 8 1/4 | 6 1/4 | 3/4 |
| | BottomDrawer | 11 3/4 | 11 1/8 | 3/4 |
| V3621DR | Cabinet | 36 | 34 1/2 | 21 |
| | Door | 11 3/4 | 22 1/2 | 3/4 |
| | Long Drawer | 23 1/2 | 6 1/4 | 3/4 |
| | Top Drawer | 8 1/4 | 6 1/4 | 3/4 |
| | BottomDrawer | 11 3/4 | 11 1/8 | 3/4 |



V3621DL: 36" combo with drawers on left
V3621DR: 36" combo with drawers on right

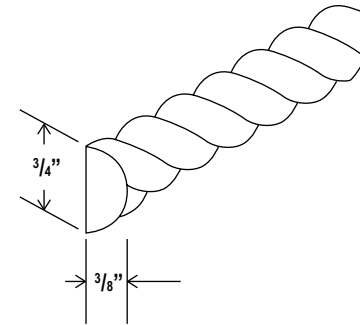
| Item Code | | W | H | D |
|-----------|--------------|--------|--------|-----|
| V3621TDL | Cabinet | 36 | 34 1/2 | 21 |
| | Door | 11 3/4 | 22 1/2 | 3/4 |
| | Long Drawer | 35 1/2 | 6 1/4 | 3/4 |
| | BottomDrawer | 11 1/2 | 11 1/8 | 3/4 |
| V3621TDR | Cabinet | 36 | 34 1/2 | 21 |
| | Door | 11 3/4 | 22 1/2 | 3/4 |
| | Long Drawer | 35 1/2 | 6 1/4 | 3/4 |
| | BottomDrawer | 11 1/2 | 11 1/8 | 3/4 |



V3621TDL: 36" combo with drawers on left
V3621TDR: 36" combo with drawers on right

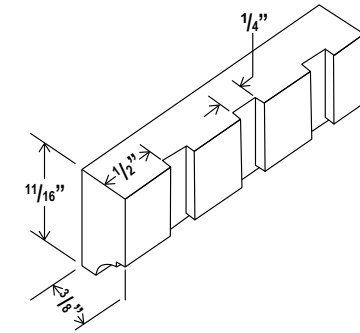
Rope Moulding

| ItemCode | L |
|----------|----|
| ROPE | 96 |



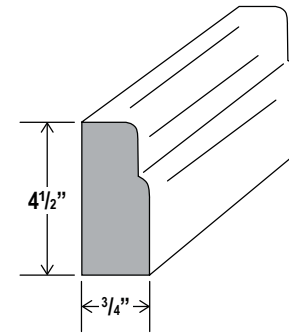
Dentil Moulding

| ItemCode | L |
|----------|----|
| DMTIS | 96 |



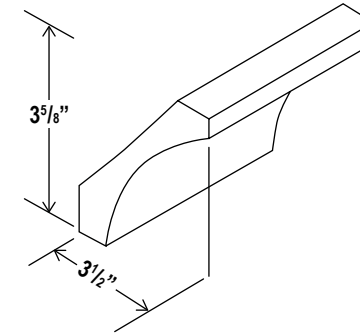
Furniture Base

| ItemCode | L |
|----------|----|
| FBM | 96 |



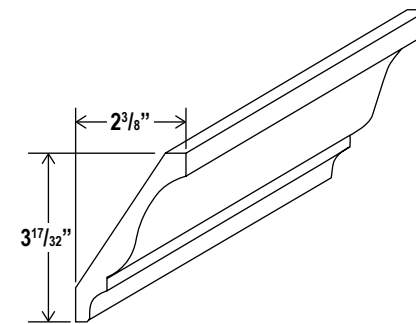
Cove Crown Moulding

| ItemCode | L |
|----------|----|
| COV | 96 |



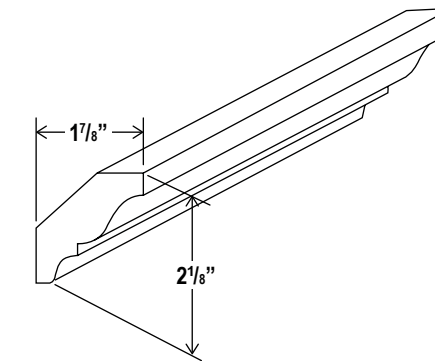
Decorative Moulding

| Item Code | L |
|-----------|----|
| BCM8(DCM) | 96 |



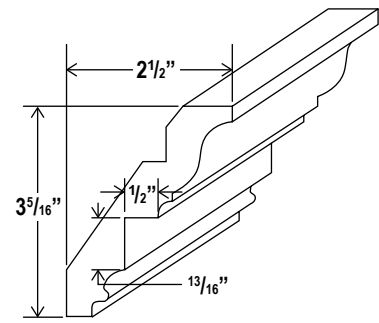
Crown Moulding

| ItemCode | L |
|----------|----|
| CM8 | 96 |



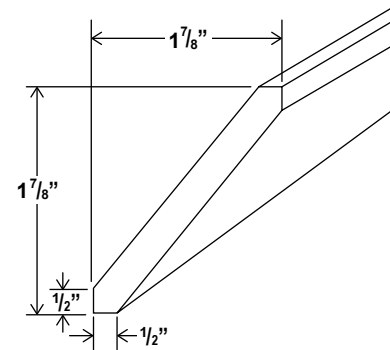
Inset Crown Moulding

| Item Code | L |
|------------|----|
| RCM4S(LCM) | 96 |



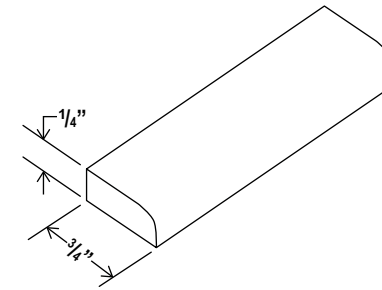
Angle Crown Moulding

| ItemCode | L |
|----------|----|
| ACM8 | 96 |



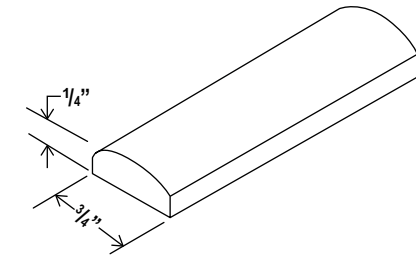
Scribe Moulding

| ItemCode | L |
|----------|----|
| SM8(SCR) | 96 |



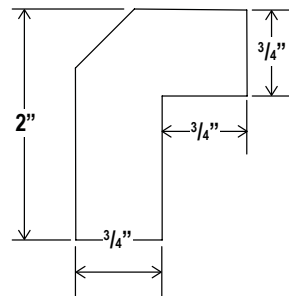
Batten Moulding

| ItemCode | L |
|----------|----|
| BAM | 96 |



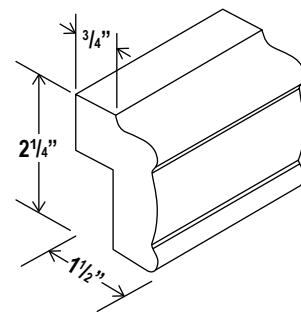
Angle Light Rail Moulding

| ItemCode | L |
|----------|----|
| ALRM8 | 96 |



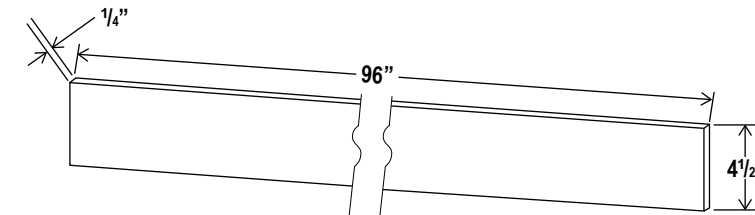
Light Rail Moulding

| ItemCode | L |
|----------|----|
| LRM8 | 96 |



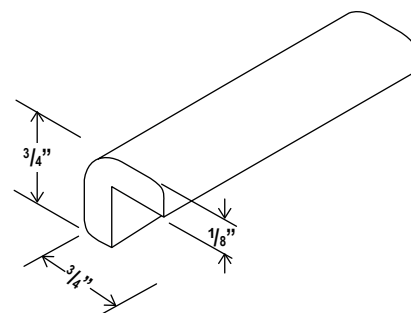
Toe Kick

| ItemCode | L |
|----------|----|
| TKC | 96 |



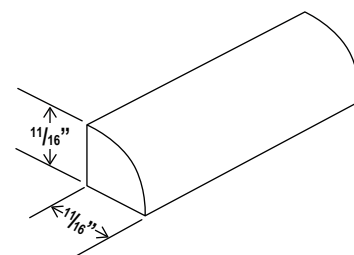
Outside Corner Moulding

| ItemCode | L |
|----------|----|
| OCM8 | 96 |



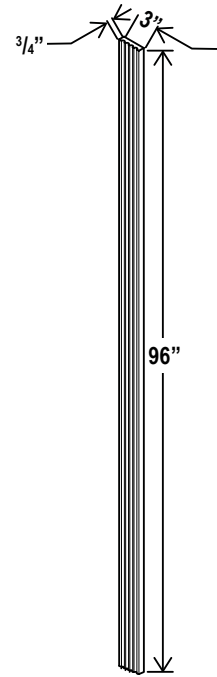
Shoe Moulding

| ItemCode | L |
|----------|----|
| SHM | 96 |



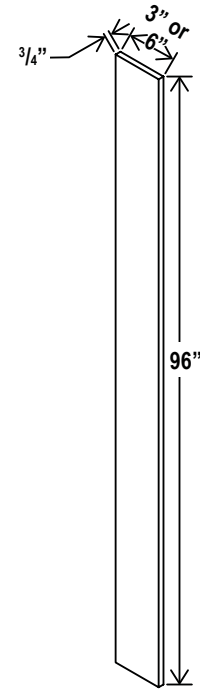
Tall Fluted Filler

| ItemCode | L |
|----------|----|
| FF396 | 96 |



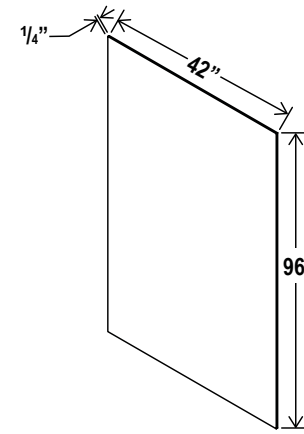
Tall Filler

| ItemCode | L |
|----------|----|
| F396 | 96 |
| F696 | 96 |



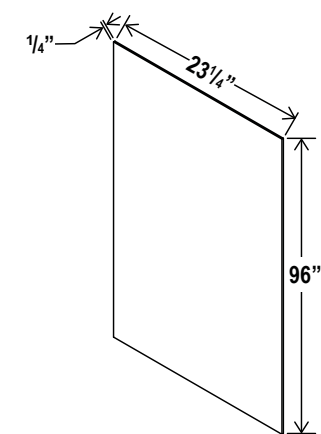
Finish Plywood Panel

| ItemCode | L |
|----------|----|
| FPV4296 | 96 |



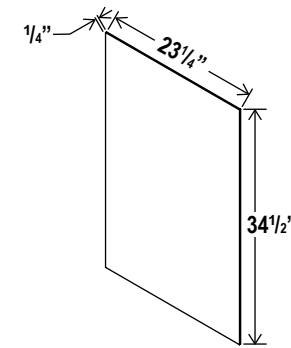
Tall Skin Veneer Panel

| ItemCode | L |
|----------|----|
| USV2496 | 96 |



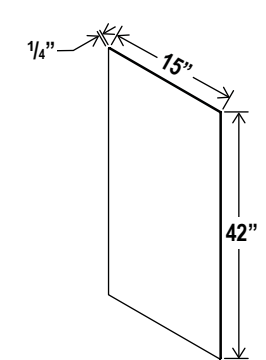
Base Skin Veneer Panel

| ItemCode | L |
|----------|--------|
| BSV | 34 1/2 |



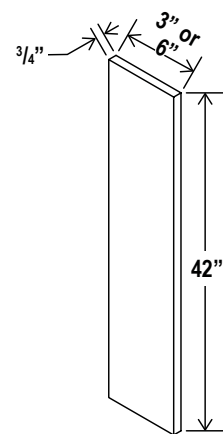
Wall Skin Panel

| ItemCode | L |
|----------|----|
| WSV42 | 42 |



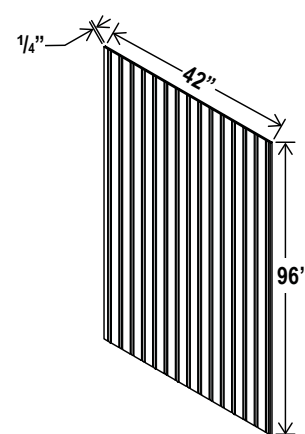
Filler

| ItemCode | L |
|----------|----|
| F342 | 42 |
| F642 | 42 |



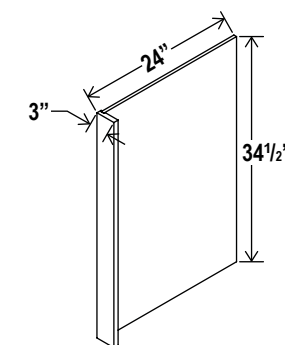
Bead Board Panel

| Item Code | L |
|-----------|----|
| BBFPV4296 | 96 |



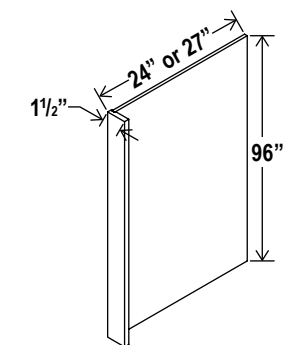
Dishwasher Return Panel

| ItemCode | L |
|----------|--------|
| DWR3 | 34 1/2 |



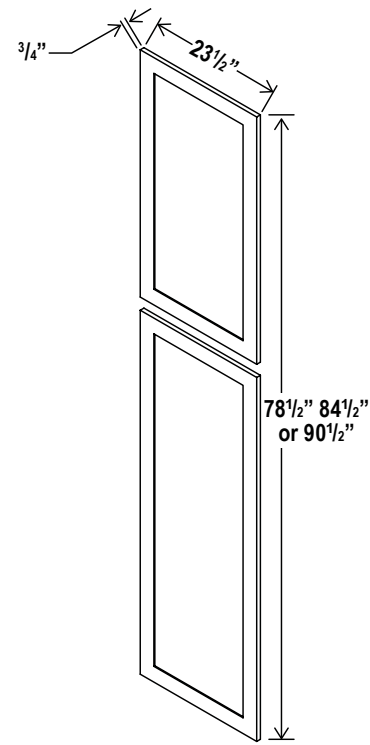
Refrigerator End Panel

| ItemCode | L |
|----------|----|
| REPV2496 | 96 |
| REPV2796 | 96 |



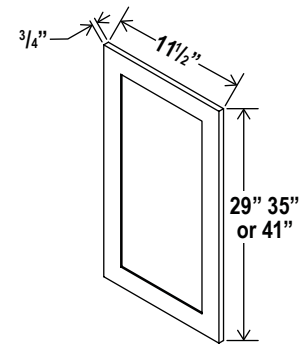
Tall Decorative Door Panel

| Item Code | L |
|-----------|--------|
| TDEP2484 | 78 1/2 |
| TDEP2490 | 84 1/2 |
| TDEP2496 | 90 1/2 |



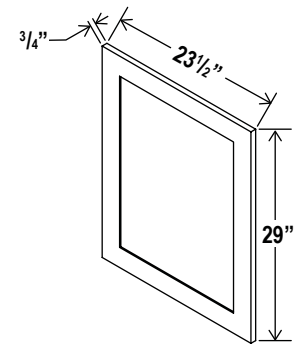
Wall Decorative Door Panel

| Item Code | L |
|-----------|----|
| WDEP30 | 29 |
| WDEP36 | 35 |
| WDEP42 | 41 |



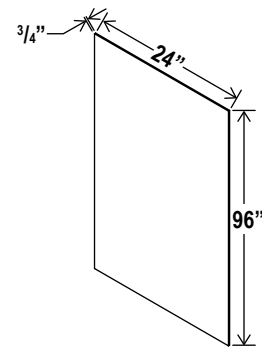
Base Decorative Door Panel

| Item Code | L |
|-----------|----|
| BDEP | 29 |



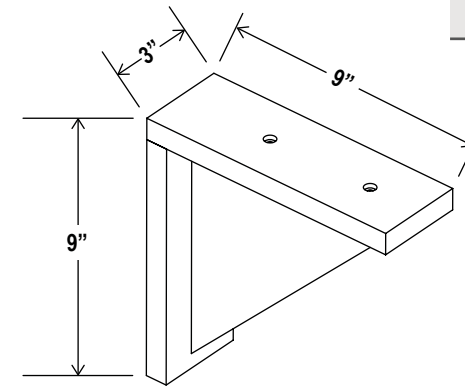
Shelf Board

| Item Code | L |
|-----------|----|
| S2496 | 96 |



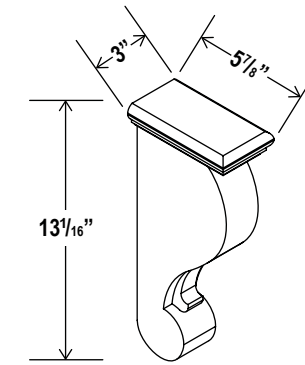
Corbel

| Item Code |
|-----------|
| CB9 |



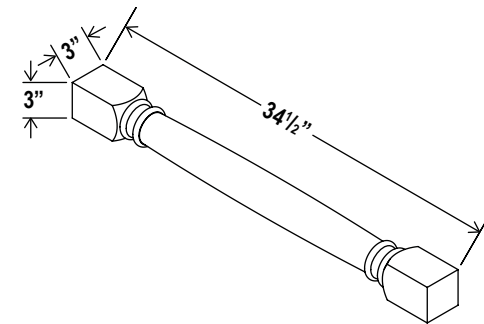
Corbel

| Item Code |
|-----------|
| CBT |



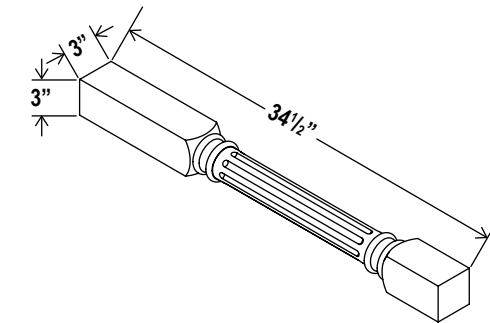
Classic Decorative Leg

| Item Code |
|-----------|
| CLDL |



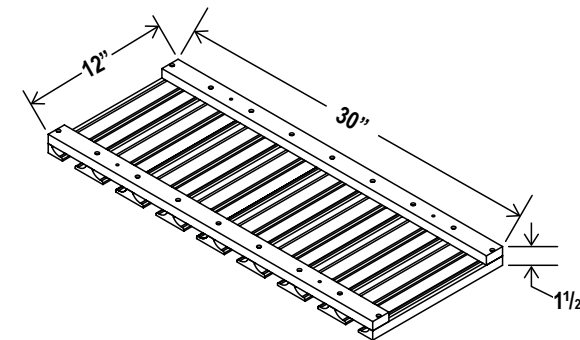
Fluted Decorative Leg

| Item Code |
|-----------|
| FLDL |



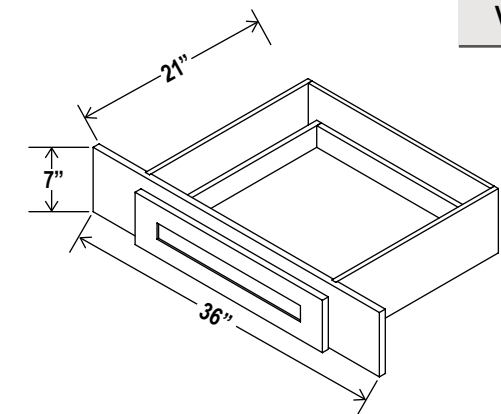
Glass Holder

| Item Code |
|-----------|
| SGH30 |



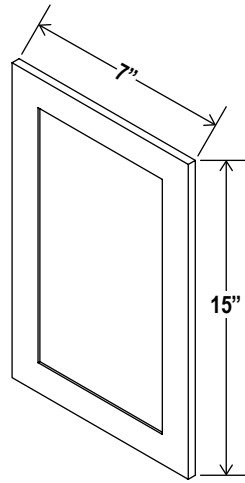
Knee Drawer

| Item Code |
|-----------|
| VKD36 |



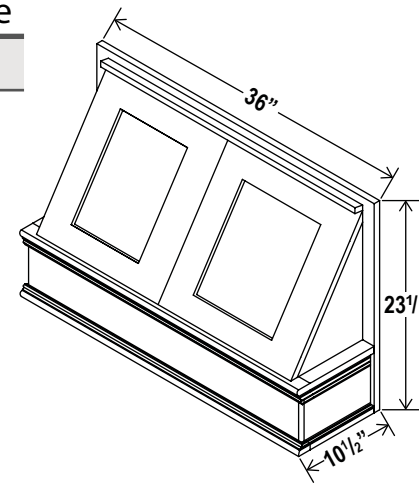
Sample Door

Item Code
SD



Hood

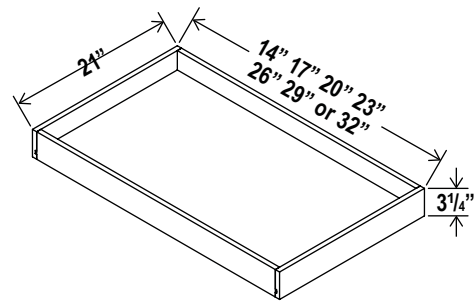
Item Code
Hood



Roll Out Tray

Item Code

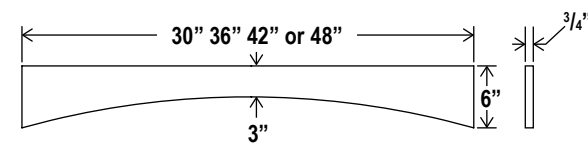
- RS18
- RS21
- RS24
- RS27
- RS30
- RS33
- RS36



Arched Valance

Item Code

- VA30
- VA36
- VA42
- VA48



How to Order

To Order:

Specify the 2-letter door style (shown on page 14-15 of this book), followed by the product number for the cabinet.

Examples:

SW-W0930 would be the product number to use to order a Shaker White (SW) Wall Cabinet, 30" high, 9" wide, and 12" deep.



Wall Cabinets

| ITEM | WALL CABINETS - 12" H | CS/CW | AW/GR/SW | AC/SE |
|-----------|---|-------|----------|-------|
| W1212GD | Wall Cabinet - 12"W x 12"H x 12"D - 1D | \$117 | \$95 | \$110 |
| W1512GD | Wall Cabinet - 15"W x 12"H x 12"D - 1D | \$131 | \$107 | \$124 |
| W1812GD | Wall Cabinet - 18"W x 12"H x 12"D - 1D | \$146 | \$120 | \$142 |
| W2112GD | Wall Cabinet - 21"W x 12"H x 12"D - 1D | \$161 | \$132 | \$156 |
| W2412GD | Wall Cabinet - 24"W x 12"H x 12"D - 2D | \$196 | \$160 | \$190 |
| W2712GD | Wall Cabinet - 27"W x 12"H x 12"D - 2D | \$212 | \$172 | \$207 |
| W3012GD | Wall Glass Door Cabinet - 30"W x 12"H x 12"D - 2D | \$270 | \$246 | \$261 |
| W3312GD | Wall Glass Door Cabinet - 33"W x 12"H x 12"D - 2D | \$288 | \$263 | \$276 |
| W3612GD | Wall Glass Door Cabinet - 36"W x 12"H x 12"D - 2D | \$307 | \$279 | \$293 |
| DCW2412GD | Wall Diagonal Glass Door Corner Cabinet - 24"W x 12"H x 12"D - 1D -2S | \$228 | \$207 | \$217 |
| DCW2712GD | Wall Diagonal Glass Door Corner Cabinet - 27"W x 12"H x 12"D x 1D -3S | \$243 | \$221 | \$231 |
| W3012 | Wall Cabinet - 30"W x 12"H x 12"D - 2D | \$253 | \$226 | \$241 |
| W301224 | Wall Refrigerator Cabinet-30"W x 12"H x 24"D - 2D | \$323 | \$293 | \$307 |
| W3312 | Wall Cabinet - 33"W x 12"H x 12"D - 2D | \$266 | \$240 | \$253 |
| W331224 | Wall Refrigerator Cabinet-33"W x 12"H x 24"D - 2D | \$341 | \$309 | \$325 |
| W3612 | Wall Cabinet - 36"W x 12"H x 12"D - 2D | \$283 | \$255 | \$268 |
| W361224 | Wall Cabinet - 36"W x 12"H x 24"D - 2D | \$359 | \$325 | \$340 |
| W421224 | Wall Cabinet - 42"W x 12"H x 24"D - 2D | \$450 | \$378 | \$397 |

| ITEM | WALL CABINETS - 15" H | CS/CW | AW/GR/SW | AC/SE |
|---------|---|-------|----------|-------|
| W3015 | Wall Cabinet - 30"W x 15"H x 12"D - 2D | \$287 | \$250 | \$271 |
| W301524 | Wall Refrigerator Cabinet - 30"W x 15"H x 24"D - 2D | \$349 | \$318 | \$333 |
| W3315 | Wall Cabinet - 33"W x 15"H x 12"D - 2D | \$293 | \$265 | \$279 |
| W331524 | Wall Refrigerator Cabinet - 33"W x 15"H x 24"D -2D | \$370 | \$334 | \$351 |
| W3615 | Wall Cabinet - 36"W x 15"H x 12"D - 2D | \$304 | \$281 | \$288 |
| W361524 | Wall Refrigerator Cabinet - 36"W x 15"H x 24"D - 2D | \$384 | \$353 | \$363 |
| W3915 | Wall Cabinet - 39"W x 15"H x 12"D - 2D | N/A | \$301 | N/A |
| W421524 | Wall Cabinet - 42"W x 15"H x 24"D - 2D | \$503 | \$422 | \$439 |

| ITEM | WALL CABINETS - 18" H | CS/CW | AW/GR/SW | AC/SE |
|---------|---|-------|----------|-------|
| W2418 | Wall Cabinet - 24"W x 18"H x 12"D - 2D | \$306 | \$264 | \$265 |
| W3018 | Wall Cabinet - 30"W x 18"H x 12"D - 2D | \$314 | \$282 | \$298 |
| W301824 | Wall Refrigerator Cabinet - 30"W x 18"H x 24"D - 2D | \$389 | \$354 | \$372 |
| W3018GD | Wall Cabinet - 30"W x 18"H x 12"D - 2D | \$342 | \$310 | \$327 |
| W3318 | Wall Cabinet - 33"W x 18"H x 12"D - 2D | \$323 | \$290 | \$307 |
| W331824 | Wall Refrigerator Cabinet - 33"W x 18"H x 24"D -2D | \$400 | \$363 | \$383 |
| W3618 | Wall Cabinet - 36"W x 18"H x 12"D - 2D | \$341 | \$301 | \$323 |
| W361824 | Wall Refrigerator Cabinet - 36"W x 18"H x 24"D - 2D | \$418 | \$371 | \$396 |
| W421824 | Wall Refrigerator Cabinet - 42"W x 18"H x 24"D - 2D | \$553 | \$468 | \$483 |

Wall Cabinets

| ITEM | WALL CABINETS - 24" H | CS/CW | AW/GR/SW | AC/SE |
|---------|---|-------|----------|-------|
| W3024 | Wall Cabinet - 30"W x 24"H x 12"D - 2D - 1S | \$377 | \$340 | \$359 |
| W302424 | Wall Refrigerator Cabinet - 30"W x 24"H x 24"D - 2D -1S | \$470 | \$427 | \$449 |
| W3324 | Wall Cabinet - 33"W x 24"H x 12"D - 2D - 1S | \$385 | \$349 | \$366 |
| W332424 | Wall Refrigerator Cabinet -33"W x 24"H x 24"D-2D -1S | \$509 | \$463 | \$486 |
| W3624 | Wall Cabinet - 36"W x 24"H x 12"D - 2D - 1S | \$443 | \$375 | \$421 |
| W362424 | Wall Refrigerator Cabinet - 36"W x 24"H x 24"D - 2D -1S | \$546 | \$496 | \$518 |
| W3924 | Wall Cabinet - 39"W x 24"H x 12"D - 2D - 1S | N/A | \$413 | N/A |
| W422424 | Wall Refrigerator Cabinet - 42"W x 24"H x 24"D - 2D -1S | \$734 | \$619 | \$638 |

| ITEM | WALL CABINETS - 30" H | CS/CW | AW/GR/SW | AC/SE |
|---------|---|-------|----------|-------|
| W0930 | Wall Cabinet - 09"W x 30"H x 12"D - 1D -2S | \$197 | \$177 | \$186 |
| W1230 | Wall Cabinet - 12"W x 30"H x 12"D - 1D -2S | \$222 | \$198 | \$210 |
| W1530 | Wall Cabinet - 15"W x 30"H x 12"D - 1D -2S | \$256 | \$230 | \$243 |
| W1530GD | Wall Glass Door Cabinet - 15"W x 30"H x 12"D - 1D -2S | \$290 | \$256 | \$276 |
| W1830 | Wall Cabinet - 18"W x 30"H x 12"D - 1D - 2S | \$297 | \$257 | \$282 |
| W1830GD | Wall Glass Door Cabinet - 18"W x 30"H x 12"D - 1D -2S | \$338 | \$304 | \$322 |
| W2130 | Wall Cabinet - 21"W x 30"H x 12"D - 1D -2S | \$329 | \$279 | \$311 |
| W2430 | Wall Cabinet - 24"W x 30"H x 12"D - 2D -2S | \$385 | \$347 | \$364 |
| W2430GD | Wall Glass Door Cabinet - 24"W x 30"H x 12"D - 2D -2S | \$433 | \$391 | \$410 |
| W2730 | Wall Cabinet - 27"W x 30"H x 12"D - 2D -2S | \$421 | \$371 | \$399 |
| W3030 | Wall Cabinet - 30"W x 30"H x 12"D - 2D -2S | \$463 | \$415 | \$440 |
| W3030GD | Wall Glass Door Cabinet - 30"W x 30"H x 12"D -2D-2S | \$509 | \$463 | \$486 |
| W3330 | Wall Cabinet - 33"W x 30"H x 12"D - 2D -2S | \$486 | \$442 | \$463 |
| W3630 | Wall Cabinet - 36"W x 30"H x 12"D - 2D -2S | \$531 | \$471 | \$505 |
| W3930 | Wall Cabinet - 39"W x 30"H x 12"D - 2D -2S | \$548 | \$499 | \$524 |
| W4230 | Wall Cabinet - 42"W x 30"H x 12"D - 2D -2S | N/A | \$529 | N/A |
| W4830 | Wall Cabinet - 48"W x 30"H x 12"D - 2D -2S | N/A | \$594 | N/A |

| ITEM | WALL CABINETS - 36" H | CS/CW | AW/GR/SW | AC/SE |
|---------|---|-------|----------|-------|
| W0936 | Wall Cabinet - 09"W x 36"H x 12"D - 1D -2S | \$215 | \$197 | \$202 |
| W1236 | Wall Cabinet - 12"W x 36"H x 12"D - 1D -2S | \$253 | \$228 | \$241 |
| W1536 | Wall Cabinet - 15"W x 36"H x 12"D - 1D -2S | \$293 | \$257 | \$279 |
| W1536GD | Wall Glass Door Cabinet - 15"W x 36"H x 12"D - 1D -2S | \$330 | \$292 | \$314 |
| W1836 | Wall Cabinet - 18"W x 36"H x 12"D - 1D -2S | \$343 | \$292 | \$327 |
| W1836GD | Wall Glass Door Cabinet - 18"W x 36"H x 12"D - 1D -2S | \$389 | \$380 | \$371 |
| W2136 | Wall Cabinet - 21"W x 36"H x 12"D - 1D -2S | \$386 | \$329 | \$367 |
| W2436 | Wall Cabinet - 24"W x 36"H x 12"D - 2D -2S | \$449 | \$374 | \$427 |
| W2436GD | Wall Glass Door Cabinet - 24"W x 36"H x 12"D - 2D -2S | \$448 | \$407 | \$426 |

Wall Cabinets

| ITEM | WALL CABINETS - 36" H | CS/CW | AW/GR/SW | AC/SE |
|---------|--|-------|----------|-------|
| W2736 | Wall Cabinet - 27"W x 36"H x 12"D - 2D -2S | \$484 | \$402 | \$461 |
| W3036 | Wall Cabinet - 30"W x 36"H x 12"D - 2D -2S | \$530 | \$462 | \$504 |
| W3036GD | Wall Glass Door Cabinet - 30"W x 36"H x 12"D -2D- 2S | \$593 | \$537 | \$567 |
| W3336 | Wall Cabinet - 33"W x 36"H x 12"D - 2D -2S | \$576 | \$504 | \$547 |
| W3636 | Wall Cabinet - 36"W x 36"H x 12"D - 2D -2S | \$614 | \$536 | \$584 |
| W3936 | Wall Cabinet - 39"W x 36"H x 12"D - 2D -2S | N/A | \$675 | N/A |
| W4236 | Wall Cabinet - 42"W x 36"H x 12"D - 2D -2S | N/A | \$745 | N/A |
| W4836 | Wall Cabinet - 48"W x 36"H x 12"D - 2D -2S | N/A | \$899 | N/A |

| ITEM | WALL CABINETS - 42" H | CS/CW | AW/GR/SW | AC/SE |
|---------|---|-------|----------|-------|
| W0942 | Wall Cabinet - 09"W x 42"H x 12"D - 1D - 3S | \$251 | \$222 | \$239 |
| W1242 | Wall Cabinet - 12"W x 42"H x 12"D - 1D- 3S | \$292 | \$264 | \$278 |
| W1542 | Wall Cabinet - 15"W x 42"H x 12"D - 1D - 3S | \$343 | \$304 | \$327 |
| W1542GD | Wall Glass Door Cabinet - 15"W x 42"H x 12"D - 1D- 3S | \$380 | \$337 | \$361 |
| W1842 | Wall Cabinet - 18"W x 42"H x 12"D - 1D -3S | \$395 | \$347 | \$374 |
| W1842GD | Wall Cabinet - 18"W x 42"H x 12"D - 1D -3S | \$447 | \$398 | \$425 |
| W2142 | Wall Cabinet - 21"W x 42"H x 12"D - 1D -3S | \$433 | \$387 | \$410 |
| W2442 | Wall Cabinet - 24"W x 42"H x 12"D - 2D -3S | \$527 | \$437 | \$499 |
| W2442GD | Wall Glass Door Cabinet - 24"W x 42"H x 12"D - 2D -3S | \$573 | \$483 | \$545 |
| W2742 | Wall Cabinet - 27"W x 42"H x 12"D - 2D -3S | \$541 | \$476 | \$513 |
| W3042 | Wall Cabinet - 30"W x 42"H x 12"D - 2D -3S | \$616 | \$548 | \$585 |
| W3042GD | Wall Glass Door Cabinet - 30"W x 42"H x 12"D -2D- 2S | \$677 | \$615 | \$648 |
| W3342 | Wall Cabinet - 33"W x 42"H x 12"D - 2D -3S | \$655 | \$583 | \$624 |
| W3642 | Wall Cabinet - 36"W x 42"H x 12"D - 2D -3S | \$703 | \$619 | \$668 |
| W3942 | Wall Cabinet - 39"W x 36"H x 12"D - 2D -2S | N/A | \$684 | N/A |
| W4242 | Wall Cabinet - 42"W x 36"H x 12"D - 2D -2S | N/A | \$697 | N/A |
| W4842 | Wall Cabinet - 48"W x 36"H x 12"D - 2D -2S | N/A | \$802 | N/A |

| ITEM | Wall MICROWAVE OVEN CABINET | CS/CW | AW/GR/SW | AC/SE |
|--------|--|-------|----------|-------|
| MO3030 | Microwave Oven Cabinet - 30"W x 30"H x 12"D - 2D, 1S | \$571 | \$521 | \$543 |
| MO3036 | Microwave Oven Cabinet - 30"W x 36"H x 12"D - 2D, 1S | \$661 | \$603 | \$628 |
| MO3042 | Microwave Oven Cabinet - 30"W x 42"H x 12"D - 2D, 1S | \$779 | \$710 | \$739 |

| ITEM | ANGLE WALL CABINETS | CS/CW | AW/GR/SW | AC/SE |
|--------|--|-------|----------|-------|
| AW1230 | Angle Wall Cabinet - 12"W x 30"H x 12"D - 1D -2S | \$253 | \$208 | \$241 |
| AW1236 | Angle Wall Cabinet - 12"W x 36"H x 12"D - 1D -2S | \$276 | \$238 | \$262 |
| AW1242 | Angle Wall Cabinet - 12"W x 42"H x 12"D - 1D -3S | \$298 | \$267 | \$283 |

Wall Cabinets

| ITEM | DIAGONAL CORNER WALL CABINETS | CS/CW | AW/GR/SW | AC/SE |
|-----------|---|-------|----------|-------|
| DCW2430 | Wall Diagonal Corner Cabinet - 24"W x 30"H x 12"D - 1D -2S | \$495 | \$444 | \$470 |
| DCW2430GD | Wall Diagonal Glass Door Corner Cabinet - 24"W x 30"H x 12"D - 1D -2S | \$521 | \$469 | \$495 |
| DCW2436 | Wall Diagonal Corner Cabinet - 24"W x 36"H x 12"D - 1D- 2S | \$558 | \$506 | \$530 |
| DCW2436GD | Wall Diagonal Glass Door Corner Cabinet - 24"W x 36"H x 12"D - 1D-2S | \$593 | \$532 | \$558 |
| DCW2442 | Wall Diagonal Corner Cabinet - 24"W x 42"H x 12"D - 1D -3S | \$648 | \$608 | \$614 |
| DCW2442GD | Wall Diagonal Glass Door Corner Cabinet - 24"W x 42"H x 12"D - 1D -3S | \$690 | \$619 | \$653 |
| DCW2736 | Wall Diagonal Corner Cabinet - 27"W x 36"H x 12"D - 1D -3S | \$589 | \$532 | \$576 |
| DCW2742 | Wall Diagonal Corner Cabinet - 27"W x 42"H x 12"D - 1D -3S | \$706 | \$646 | \$677 |
| WER2430 | Wall Easy Reach Corner Cabinet - 24" W X 30" H X 12" D - 2D - 2S | \$608 | \$520 | \$539 |

| ITEM | BLIND CORNER WALL CABINETS | CS/CW | AW/GR/SW | AC/SE |
|---------|---|-------|----------|-------|
| WBC2430 | Wall Blind Corner Cabinet - 24"W x 30"H x 12"D - 1D -2S | \$329 | \$297 | \$311 |
| WBC2436 | Wall Blind Corner Cabinet - 24"W x 36"H x 12"D - 1D -2S | \$461 | \$392 | \$415 |
| WBC2442 | Wall Blind Corner Cabinet - 24"W x 42"H x 12"D - 1D -3S | \$443 | \$398 | \$422 |
| WBC2730 | Wall Blind Corner Cabinet - 27"W x 30"H x 12"D - 1D -2S | \$354 | \$314 | \$337 |
| WBC2736 | Wall Blind Corner Cabinet - 27"W x 36"H x 12"D - 1D -2S | \$400 | \$358 | \$382 |
| WBC2742 | Wall Blind Corner Cabinet - 27"W x 42"H x 12"D - 1D -3S | \$470 | \$421 | \$447 |
| WBC3030 | Wall Blind Corner Cabinet - 30"W x 30"H x 12"D - 1D -2S | \$492 | \$422 | \$437 |
| WBC3036 | Wall Blind Corner Cabinet - 30"W x 36"H x 12"D - 1D -2S | \$559 | \$476 | \$497 |
| WBC3042 | Wall Blind Corner Cabinet - 30"W x 42"H x 12"D - 1D -3S | \$652 | \$557 | \$580 |
| WBC3330 | Wall Blind Corner Cabinet - 33"W x 30"H x 12"D - 1D -2S | \$535 | \$459 | \$473 |
| WBC3336 | Wall Blind Corner Cabinet - 33"W x 36"H x 12"D - 1D -2S | \$608 | \$515 | \$539 |
| WBC3342 | Wall Blind Corner Cabinet - 33"W x 42"H x 12"D - 1D -3S | \$710 | \$609 | \$622 |
| WBC3630 | Wall Blind Corner Cabinet - 36"W x 30"H x 12"D - 1D -2S | \$451 | \$407 | \$428 |
| WBC3636 | Wall Blind Corner Cabinet - 36"W x 36"H x 12"D - 1D -2S | \$658 | \$556 | \$575 |
| WBC3642 | Wall Blind Corner Cabinet - 36"W x 42"H x 12"D - 1D -3S | \$604 | \$545 | \$573 |

| ITEM | WALL ACCESSORY CABINETS | CS/CW | AW/GR/SW | AC/SE |
|---------|--|-------|----------|-------|
| OE630 | Wall End Shelf - 6"W x 30"H x 12"D - 2S | \$135 | \$121 | \$129 |
| OE636 | Wall End Shelf - 6"W x 36"H x 12"D - 3S | \$149 | \$135 | \$142 |
| OE642 | Wall End Shelf - 6"W x 42"H x 12"D - 4S | \$164 | \$149 | \$157 |
| PR3015 | Wall Plate Rack Cabinet - 30"W x 15"H x 12"D | \$385 | \$349 | \$366 |
| WRC2430 | Wall Wine Rack Cabinet - 24"W x 30"H x 12"D | \$375 | \$342 | \$360 |
| WRC3015 | Wall Wine Rack Cabinet - 30"W x 15"H x 12"D | \$345 | \$314 | \$330 |
| WRC3018 | Wall Wine Rack Cabinet - 30"W x 18"H x 12"D | \$361 | \$328 | \$345 |
| WRC630 | Wall Wine Cube Cabinet - 30"W X 6"H X 12"D | \$274 | \$246 | \$252 |
| SGH30 | Stem Wine Glass Holder - 30"W x 1 1/2"H x 12"D | \$129 | \$117 | \$122 |
| WSD630 | Wall Spice Drawer - 30"W x 6"H x 12"D | \$266 | \$242 | \$255 |

Base Cabinets

| ITEM | BASE CABINETS | CS/CW | AW/GR/SW | AC/SE |
|------|--|-------|----------|-------|
| BT09 | Base Cabinet - 9"W x 34-1/2"H x 24"D - 1D | \$282 | \$256 | \$267 |
| B12 | Base Cabinet - 12"W x 34-1/2"H x 24"D - 1D, 1Drw, 1S | \$366 | \$337 | \$348 |
| B15 | Base Cabinet - 15"W x 34-1/2"H x 24"D - 1D, 1Drw, 1S | \$413 | \$372 | \$394 |
| B18 | Base Cabinet - 18"W x 34-1/2"H x 24"D - 1D, 1Drw, 1S | \$447 | \$410 | \$424 |
| B21 | Base Cabinet - 21"W x 34-1/2"H x 24"D - 1D, 1Drw, 1S | \$492 | \$440 | \$468 |
| B24 | Base Cabinet - 24"W x 34-1/2"H x 24"D - 2D, 1Drw, 1S | \$537 | \$493 | \$510 |
| B27 | Base Cabinet - 27"W x 34-1/2"H x 24"D - 2D, 1Drw, 1S | \$595 | \$542 | \$567 |
| B30 | Base Cabinet - 30"W x 34-1/2"H x 24"D - 2D, 2Drw, 1S | \$693 | \$630 | \$663 |
| B33 | Base Cabinet - 33"W x 34-1/2"H x 24"D - 2D, 2Drw, 1S | \$735 | \$667 | \$697 |
| B36 | Base Cabinet - 36"W x 34-1/2"H x 24"D - 2D, 2Drw, 1S | \$782 | \$701 | \$745 |
| B42 | Base Cabinet - 42"W x 34-1/2"H x 24"D - 2D, 2Drw, 1S | \$837 | \$766 | \$796 |
| B48 | Base Cabinet - 48"W x 34-1/2"H x 24"D - 2D, 2Drw, 1S | N/A | \$860 | \$883 |

| ITEM | MICROWAVE BASE | CS/CW | AW/GR/SW | AC/SE |
|------|---|-------|----------|-------|
| MB30 | Microwave Base Cabinet - 30"W x 34-1/2"H x 24"D -1Drw | \$641 | \$593 | \$628 |
| MB33 | Microwave Base Cabinet - 33"W x 34-1/2"H x 24"D -1Drw | \$689 | \$629 | \$664 |

| ITEM | SINK BASE | CS/CW | AW/GR/SW | AC/SE |
|---------|--|-------|----------|-------|
| SB27 | Sink Base - 27"W x 34-1/2"H x 24"D - 1 False Drawer | \$469 | \$422 | \$444 |
| SB30 | Sink Base - 30"W x 34-1/2"H x 24"D - 1 False Drawer | \$513 | \$462 | \$487 |
| SB33 | Sink Base - 33"W x 34-1/2"H x 24"D - 2 False Drawers | \$547 | \$493 | \$520 |
| SB36 | Sink Base - 36"W x 34-1/2"H x 24"D - 2 False Drawers | \$594 | \$534 | \$564 |
| SB42 | Sink Base - 42"W x 34-1/2"H x 24"D - 2 False Drawers | \$743 | \$662 | \$686 |
| FSB36 | Farm Sink Base - 36"W X 34-1/2"H X 24"D | \$594 | \$534 | \$564 |
| CSB36 | Corner Sink Base - 36"W x 34-1/2"H x 24"D | \$622 | \$558 | \$590 |
| DCSF42 | Corner Sink Base Front - 26-1/4"W x 30"H - for use with SBF4242 | \$238 | \$212 | \$226 |
| SBF4242 | Corner Sink Front Floor - 42"W x 42"H x 23-1/4"D - for use with DCSF42 | \$95 | \$84 | \$89 |

| ITEM | DRAWER BASE | CS/CW | AW/GR/SW | AC/SE |
|-------|---|-------|----------|-------|
| 3DB12 | Drawer Base Cabinet - 12"W x 34-1/2"H x 24"D - 3DRW | \$549 | \$507 | \$521 |
| 3DB15 | Drawer Base Cabinet - 15"W x 34-1/2"H x 24"D - 3DRW | \$613 | \$570 | \$587 |
| 3DB18 | Drawer Base Cabinet - 18"W x 34-1/2"H x 24"D - 3DRW | \$655 | \$593 | \$624 |
| 3DB21 | Drawer Base Cabinet - 21"W x 34-1/2"H x 24"D - 3DRW | \$677 | \$629 | \$642 |
| 3DB24 | Drawer Base Cabinet - 24"W x 34-1/2"H x 24"D - 3DRW | \$714 | \$667 | \$678 |
| 3DB30 | Drawer Base Cabinet - 30"W x 34-1/2"H x 24"D - 3DRW | \$827 | \$749 | \$787 |
| 3DB36 | Drawer Base Cabinet - 36"W x 34-1/2"H x 24"D - 3DRW | \$910 | \$814 | \$864 |

| ITEM | ANGLE CORNER BASE | CS/CW | AW/GR/SW | AC/SE |
|--------|--|-------|----------|-------|
| BEC12L | Angle Base Cabinet - 12"W x 34-1/2"H x 24"D - 2D LEFT | \$395 | \$327 | \$348 |
| BEC12R | Angle Base Cabinet - 12"W x 34-1/2"H x 24"D - 2D RIGHT | \$395 | \$327 | \$348 |
| BEC24 | Angle Base Cabinet - 24"W x 34-1/2"H x 24"D - 2D | \$466 | \$415 | \$442 |

Base Cabinets

| ITEM | LAZY SUSAN BASE | CS/CW | AW/GR/SW | AC/SE |
|----------------|--|-------|----------|-------|
| ERB33 | Easy Reach Base Cabinet - 33"W x 34-1/2"H - 1D * Add Wood/Chrome Tray 33 to convert to Lazy Susan | \$630 | \$568 | \$597 |
| ERB36 | Easy Reach Base Cabinet - 36"W x 34-1/2"H - 1D * Add Wood/Chrome Tray 36 to convert to Lazy Susan | \$701 | \$630 | \$666 |
| Wood Tray | Wood Tray for LSB33 or LSB36 | \$169 | \$169 | \$169 |
| Chrome Tray 33 | Chrome Tray for LSB33 | \$143 | \$143 | \$143 |
| Chrome Tray 36 | Chrome Tray for LSB36 | \$160 | \$160 | \$160 |

| ITEM | BLIND CORNER BASE | CS/CW | AW/GR/SW | AC/SE |
|-------|--|-------|----------|-------|
| BBC36 | Blind Base Corner Cabinet - 27"W x 34-1/2"H x 24"D -1D, 1Drw, 1S *Install range 36" min., 39" max; Specify Left-hinge or Right Hinge assem- | \$493 | \$443 | \$468 |
| BBC39 | Blind Base Corner Cabinet - 30"W x 34-1/2"H x 24"D -1D, 1Drw, 1S *Install range 39" min., 42" max; Specify Left-hinge or Right Hinge assem- | \$600 | \$537 | \$569 |
| BBC42 | Blind Base Corner Cabinet - 39"W x 34-1/2"H x 24"D -1D, 1Drw, 1S | \$702 | \$617 | \$645 |

| ITEM | ACCESSORY BASE | CS/CW | AW/GR/SW | AC/SE |
|-------|--|-------|----------|-------|
| BES12 | Base End Shelf Cabinet - 12"W x 34-1/2"H x 24"D | \$298 | \$270 | \$283 |
| BSDC6 | Base Spice Drawer - 34 1/2"W x 24"H x 6"D - 5DRW | \$391 | \$358 | \$377 |
| BWB18 | Base Waste Basket - 18" x 34 1/2 x 24 | \$593 | \$541 | \$568 |
| DFB18 | Two Drawer Base Cabinet - 18" | \$506 | \$449 | \$481 |
| SPB6 | Spice Pull Base Cabinet - 6"W x 34-1/2"H x 24"D | \$385 | \$347 | \$366 |
| SPB9 | Spice Pull Base Cabinet - 9"W x 34-1/2"H x 24"D | \$437 | \$395 | \$415 |

| ITEM | OVEN CABINETS | CS/CW | AW/GR/SW | AC/SE |
|---------|--|---------|----------|---------|
| O308424 | Oven Cabinet - 30"W x 84"H X 24"D - 2D, 3DRW, 1S | \$1,509 | \$1,487 | \$1,499 |
| O309024 | Oven Cabinet - 30"W x 90"H X 24"D - 2D, 3DRW, 1S | \$1,638 | \$1,504 | \$1,568 |
| O309624 | Oven Cabinet - 30"W x 96"H X 24"D - 2D, 3DRW, 1S | \$1,779 | \$1,616 | \$1,691 |
| O338424 | Oven Cabinet - 33"W x 84"H X 24"D - 2D, 3DRW, 1S | \$1,646 | \$1,496 | \$1,573 |
| O339024 | Oven Cabinet - 33"W x 90"H X 24"D - 2D, 3DRW, 1S | \$1,725 | \$1,568 | \$1,646 |
| O339624 | Oven Cabinet - 33"W x 96"H X 24"D - 2D, 3DRW, 1S | \$1,879 | \$1,708 | \$1,794 |

| ITEM | PANTRY | CS/CW | AW/GR/SW | AC/SE |
|---------|---|---------|----------|---------|
| U188424 | Wall Pantry - 18"W x 84"H x 24"D - 2D, 5S | \$1,073 | \$960 | \$1,019 |
| U189024 | Wall Pantry - 18"W x 90"H x 24"D - 2D, 5S | \$1,104 | \$992 | \$1,051 |
| U189624 | Wall Pantry - 18"W x 96"H x 24"D - 2D, 5S | \$1,157 | \$1,041 | \$1,099 |
| U248424 | Wall Pantry - 24"W x 84"H x 24"D - 4D, 5S | \$1,287 | \$1,055 | \$1,223 |
| U249024 | Wall Pantry - 24"W x 90"H x 24"D - 4D, 5S | \$1,335 | \$1,140 | \$1,268 |
| U249624 | Wall Pantry - 24"W x 96"H x 24"D - 4D, 5S | \$1,401 | \$1,214 | \$1,331 |
| U308424 | Wall Pantry - 30"W x 84"H x 24"D - 4D, 5S | \$1,638 | \$1,250 | \$1,513 |
| U309024 | Wall Pantry - 30"W x 90"H x 24"D - 4D, 5S | \$1,764 | \$1,335 | \$1,584 |
| U309624 | Wall Pantry - 30"W x 96"H x 24"D - 4D, 5S | \$1,898 | \$1,403 | \$1,671 |

Vanity Cabinets

| ITEM | VANITY SINK BASE | CS/CW | AW/GR/SW | AC/SE |
|------|---|-------|----------|-------|
| VS24 | Vanity Sink Base Cabinet - 24"W x 34 1/2"H x 21"D | \$413 | \$374 | \$391 |
| VS27 | Vanity Sink Base Cabinet - 27"W x 34 1/2"H x 21"D | \$443 | \$394 | \$422 |
| VS30 | Vanity Sink Base Cabinet - 30"W x 34 1/2"H x 21"D | \$476 | \$410 | \$452 |
| VS36 | Vanity Sink Base Cabinet - 36"W x 34 1/2"H x 21"D | \$535 | \$469 | \$508 |

| ITEM | VANITY DRAWER BASE | CS/CW | AW/GR/SW | AC/SE |
|--------|---|-------|----------|-------|
| 3VDB12 | Vanity Drawer Base Cabinet - 12"W x 34 1/2"H x 21"D - 3 DRW | \$536 | \$486 | \$509 |
| 3VDB15 | Vanity Drawer Base Cabinet - 15"W x 34 1/2"H x 21"D - 3 DRW | \$583 | \$527 | \$554 |
| 3VDB18 | Vanity Drawer Base Cabinet - 18"W x 34 1/2"H x 21"D - 3 DRW | \$630 | \$563 | \$600 |
| VKD36 | Knee Drawer - 36"W x 7"H x 21"D | \$177 | \$161 | \$168 |

| ITEM | VANITY COMBINATION CABINET | CS/CW | AW/GR/SW | AC/SE |
|---------|--|-------|----------|-------|
| V3021DL | Vanity Sink Base - 30"W x 34 1/2" x 21"D - 1D, 3 Left DRW | \$789 | \$721 | \$736 |
| V3021DR | Vanity Sink Base - 30"W x 34 1/2" x 21"D - 1D, 3 Right DRW | \$789 | \$721 | \$736 |
| V3621DL | Vanity Sink Base - 36"W x 34 1/2" x 21"D - 1D, 3 Left DRW | \$826 | \$781 | \$785 |
| V3621DR | Vanity Sink Base - 36"W x 34 1/2" x 21"D - 1D, 3 Right DRW | \$826 | \$781 | \$785 |
| V36TDL | Vanity Sink Base - 36"W x 34 1/2" x 21"D - 1D, 2 Left DRW | \$965 | \$875 | \$899 |
| V36TDR | Vanity Sink Base - 36"W x 34 1/2" x 21"D - 1D, 2 Right DRW | \$965 | \$875 | \$899 |
| VSD36 | Vanity Sink Drawer Base Cabinet - 36"W x 34 1/2"H x 21"D - 2 DRW, 2D | \$734 | \$649 | \$696 |
| VSD42 | Vanity Sink Drawer Base Cabinet - 42"W x 34 1/2"H x 21"D - 2 DRW, 2D | \$817 | \$689 | \$776 |
| VSD48 | Vanity Sink Drawer Base Cabinet - 48"W x 34 1/2"H x 21"D - 2 DRW, 2D | \$892 | \$758 | \$848 |

Mouldings, Fillers, Panels and Accessories

| ITEM | MOULDINGS | CS/CW | AW/GR/SW | AC/SE |
|------------|---|-------|----------|-------|
| ACM8 | Angle Crown Moulding - 96"W x 3 5/8"H x 2 1/2"D | \$142 | \$129 | \$135 |
| ALRM8 | Angle Light Trail Molding - 96"W x 1 9/16"H x 2 1/4"D | \$220 | \$200 | \$209 |
| BAM | Batten Moulding - 96"W x 3/4"H x 1/4"D | \$39 | \$36 | \$37 |
| BCM8(DCM) | Decorative Crown Moulding - 96"W x 4 3/8"H x 11/16"D | \$188 | \$167 | \$180 |
| CM8 | Crown Moulding - 96"W x 2 3/4"H x 5/8"D | \$155 | \$141 | \$146 |
| COV | Cove Crown Moulding - 96"W x 3 5/8"H x 2 1/2"D | \$237 | \$215 | \$224 |
| DMTIS | Dentil Moulding - 96"W x 11/16"H x 3/8"D | \$39 | \$35 | \$37 |
| FBM | Furniture Base MOULDING - 96"W x 4 5/8"H x 3/4"D | \$178 | \$164 | \$171 |
| LRM8 | Light Rail Moulding - 96"W x 1 9/16"H x 2 1/4"D | \$167 | \$149 | \$158 |
| OCM8 | Outside Corner Moulding - 96"W x 3/4"H x 3/4"D | \$36 | \$34 | \$35 |
| RCM4S(LCM) | Inset Crown Moulding - 96"W x 4 3/16"H x 7/8"D | \$171 | \$157 | \$164 |
| ROPE | Rope Moulding - 96"W x 3/4"H x 3/8"D | \$47 | \$43 | \$45 |
| SHM | Shoe Moulding - 96"W x 11/16"H x 11/15"D | \$34 | \$28 | \$32 |
| SLRM8 | Small Light Rail Moulding - 96"W x 11/2"H x 1 1/2"D | \$132 | \$125 | \$131 |
| SM8(SCR) | Scribe Moulding - 96"W x 1/4"H x 5/8"D | \$36 | \$32 | \$34 |

| ITEM | FILLERS | CS/CW | AW/GR/SW | AC/SE |
|--------|--|-------|----------|-------|
| F342 | Wall Filler - 3"W x 42"H x 3/4"D | \$39 | \$35 | \$37 |
| F396 | Tall Filler - 3"W x 96"H x 3/4"D | \$131 | \$118 | \$123 |
| F642 | Wall Filler - 6"W x 42"H x 3/4"D | \$77 | \$68 | \$72 |
| F696 | Tall Filler - 6"W x 96"H x 3/4"D | \$195 | \$176 | \$184 |
| FF396 | Fluted Tall Filler - 3"W x 96"H x 3/4"D | \$146 | \$134 | \$138 |
| RF1596 | Return Filler - 1.5"W X 96"H X 3/4"D (Has a chanel to insert REPV panel) | \$109 | \$97 | \$103 |

| ITEM | PANELS | CS/CW | AW/GR/SW | AC/SE |
|-----------|--|-------|----------|-------|
| WSV30 | Wall Skin Panel - 15"W x 30"H x 1/4"D | \$29 | \$24 | \$26 |
| WSV36 | Wall Skin Panel - 15"W x 36"H x 1/4"D | \$32 | \$26 | \$29 |
| WSV42 | Wall Skin Panel - 15"W x 42"H x 1/4"D | \$34 | \$28 | \$32 |
| BSV | Base Skin Veneer Panel - 23 1/4"W x 34 1/2"H x 1/4"D | \$52 | \$45 | \$48 |
| USV2496 | Tall Skin Veneer Panel - 23 1/4" W x 96"H x 1/4"D | \$105 | \$94 | \$100 |
| FPV4296 | Finished Plywood Panel - 96"W x 42"H x 1/4"D | \$169 | \$152 | \$161 |
| BBFPV4296 | Finished Bead Board Plywood Panel-96"W x 42"H x 1/4"D | \$362 | \$327 | \$343 |
| DWR3 | Dishwasher Return Panel w/3"W Filler - 24"W X 34-1/2"H X 1/2"D | \$135 | \$121 | \$129 |
| REPV2496 | Refrigerator End Panel Veneer - 24"W x 96"H x 1 1/2"D | \$237 | \$212 | \$222 |
| REPV2796 | Refrigerator End Panel Veneer - 27"W x 96"H x 1 1/2"D | \$290 | \$290 | \$290 |
| S2496 | Shelf Board - 24"W x 96"H X 3/4"D | \$228 | \$205 | \$217 |
| WDEP12 | Wall Decorative Door Panel - 11 1/2"W x 11"H | \$50 | \$39 | \$44 |
| WDEP30 | Wall Decorative Door Panel - 11 1/2"W x 29"H | \$107 | \$97 | \$101 |
| WDEP36 | Wall Decorative Door Panel - 11 1/2"W x 35"H | \$123 | \$110 | \$118 |
| WDEP42 | Wall Decorative Door Panel - 11 1/2"W x 41"H | \$141 | \$124 | \$133 |
| BDEP | Base Decorative Door Panel - 23 1/2"W x 29"H | \$241 | \$217 | \$228 |
| VDEP | Vanity Base Decorative Door Panel - 20 1/2"W x 29"H | \$220 | \$187 | \$204 |
| TDEP2484 | Tall Decorative Door Panel - 23 1/2" W x 78 1/2"H | \$564 | \$513 | \$537 |
| TDEP2490 | Tall Decorative Door Panel - 23 1/2" W x 84 1/2"H | \$595 | \$542 | \$569 |
| TDEP2496 | Tall Decorative Door Panel - 23 1/2" W x 90 1/2"H | \$657 | \$597 | \$628 |
| TKC | Toe Kick 8' Plywood - 96"W x 4 1/2"H x 1/8"D | \$39 | \$35 | \$37 |

| ITEM | ACCESSORIES | CS/CW | AW/GR/SW | AC/SE |
|------|---|-------|----------|-------|
| CB9 | Corbel - 2"W x 9"H x 9"D | \$43 | \$37 | \$40 |
| CBT | Corbel - 3"W x 12 3/4"H x 6"D | \$183 | \$164 | \$174 |
| CLDL | Classic Decorative Leg - 3"W x 34 1/2"H x 3"D | \$267 | \$241 | \$253 |
| FLDL | Fluted Decorative Leg - 3"W x 34 1/2"H x 3"D | \$276 | \$246 | \$262 |
| HOOD | Hood | \$548 | \$499 | \$524 |
| VA30 | Arched Valance - 30"W x 6"H x 3/4"D | \$106 | \$100 | \$100 |
| VA36 | Arched Valance - 36"W x 6"H x 3/4"D | \$124 | \$118 | \$118 |
| VA42 | Arched Valance - 42"W x 6"H x 3/4"D | \$146 | \$135 | \$135 |
| VA48 | Arched Valance - 48"W x 6"H x 3/4"D | \$158 | \$142 | \$149 |

| ITEM | ROLL OUT TRAYS | CS/CW | AW/GR/SW | AC/SE |
|------|---------------------------|-------|----------|-------|
| RS18 | Roll Out Tray - Fits B18 | \$123 | \$123 | \$123 |
| RS21 | Roll Out Tray - Fits B21 | \$133 | \$133 | \$133 |
| RS24 | Roll Out Tray - Fits B24 | \$141 | \$141 | \$141 |
| RS27 | Roll Out Tray - Fits B27 | \$147 | \$147 | \$147 |
| RS30 | Roll Out Tray - Fits B30 | \$156 | \$156 | \$156 |
| RS33 | Roll Out Tray - Fits B33 | \$162 | \$162 | \$162 |
| RS36 | Roll Out Tray - Fits B36 | \$171 | \$171 | \$171 |
| SD | Sample Door - 11"W x 15"H | \$0 | \$0 | \$0 |



WAREHOUSE

Space
150,000 sft

New Service
On-line Order

Inventory Size
Full Range of Stock of
8 Cabinet Lines

Warehouse Workforce
30



ASSEMBLY

Facility Capacity
15-20 Work Stations - 300 Cabinets Daily

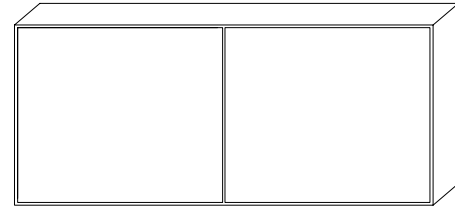
Lead Time
5-7 Business Days

Delivery Service
50 Miles

On-site Assembly and Installation
Turnkey Projects (Inquire for a Quote)

Wall Cabinet Double Doors

| Item Code | | W | H | D |
|-----------|---------|----|----|----|
| W3012 | Cabinet | 30 | 12 | 12 |
| W3312 | Cabinet | 33 | 12 | 12 |
| W3612 | Cabinet | 36 | 12 | 12 |

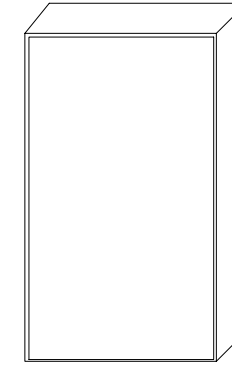


12"H

30"H

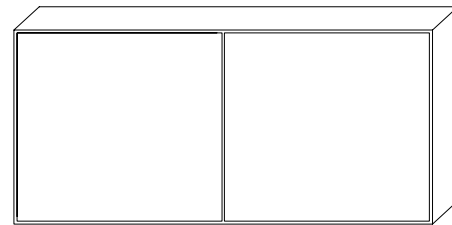
Wall Cabinet Single Door

| Item Code | | W | H | D |
|-----------|---------|----|----|----|
| W0930 | Cabinet | 09 | 30 | 12 |
| W1230 | Cabinet | 12 | 30 | 12 |
| W1530 | Cabinet | 15 | 30 | 12 |
| W1830 | Cabinet | 18 | 30 | 12 |
| W2130 | Cabinet | 21 | 30 | 12 |



Wall Cabinet Double Doors

| Item Code | | W | H | D |
|-----------|---------|----|----|----|
| W3018 | Cabinet | 30 | 18 | 12 |
| W3318 | Cabinet | 33 | 18 | 12 |
| W3618 | Cabinet | 36 | 18 | 12 |

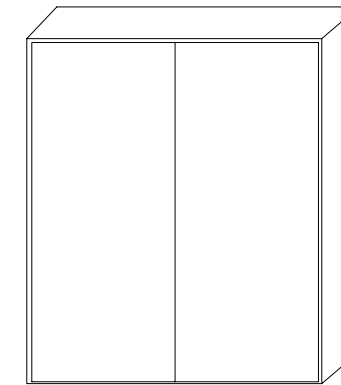


18"H

30"H

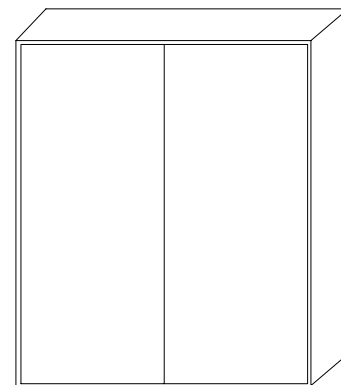
Wall Cabinet Double Doors

| Item Code | | W | H | D |
|-----------|---------|----|----|----|
| W2430 | Cabinet | 24 | 30 | 12 |
| W2730 | Cabinet | 27 | 30 | 12 |
| W3030 | Cabinet | 30 | 30 | 12 |
| W3330 | Cabinet | 33 | 30 | 12 |
| W3630 | Cabinet | 36 | 30 | 12 |



Wall Cabinet Double Doors

| Item Code | | W | H | D |
|-----------|---------|----|----|----|
| W3024 | Cabinet | 30 | 24 | 12 |
| W3324 | Cabinet | 33 | 24 | 12 |
| W3624 | Cabinet | 36 | 24 | 12 |

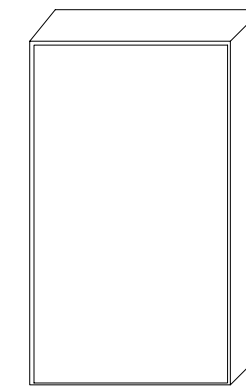


24"H

36"H

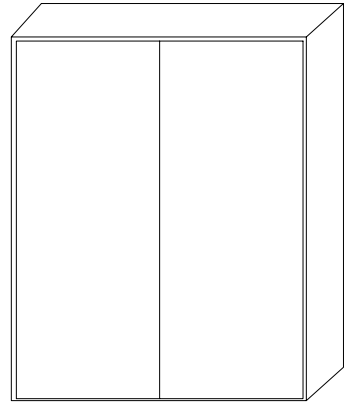
Wall Cabinet Single Door

| Item Code | | W | H | D |
|-----------|---------|----|----|----|
| W0930 | Cabinet | 09 | 36 | 12 |
| W1230 | Cabinet | 12 | 36 | 12 |
| W1530 | Cabinet | 15 | 36 | 12 |
| W1830 | Cabinet | 18 | 36 | 12 |
| W2130 | Cabinet | 21 | 36 | 12 |



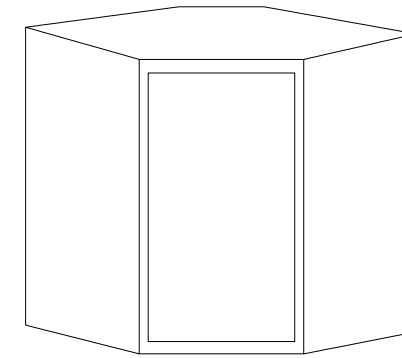
Wall Cabinet Double Doors

| Item Code | | W | H | D |
|-----------|---------|----|----|----|
| | Cabinet | 24 | 36 | 12 |
| W2736 | Cabinet | 27 | 36 | 12 |
| W3036 | Cabinet | 30 | 36 | 12 |
| W3336 | Cabinet | 33 | 36 | 12 |
| W3636 | Cabinet | 36 | 36 | 12 |



36"H

24"W

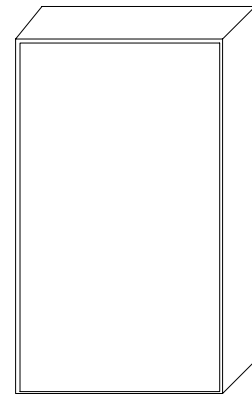


Diagonal Corner Wall Single Door

| Item Code | | W | H | D |
|-----------|---------|----|----|----|
| DCW2430 | Cabinet | 24 | 30 | 12 |
| DCW2436 | Cabinet | 24 | 36 | 12 |
| DCW2442 | Cabinet | 24 | 42 | 12 |

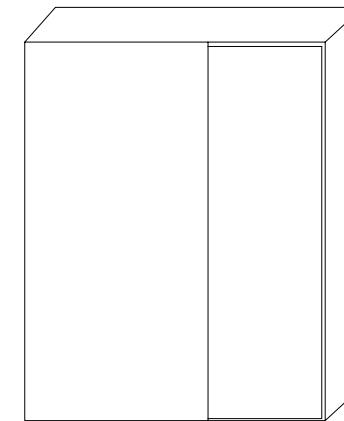
Wall Cabinet Single Door

| Item Code | | W | H | D |
|-----------|---------|----|----|----|
| W0942 | Cabinet | 09 | 42 | 12 |
| W1242 | Cabinet | 12 | 42 | 12 |
| W1542 | Cabinet | 15 | 42 | 12 |
| W1842 | Cabinet | 18 | 42 | 12 |
| W2142 | Cabinet | 21 | 42 | 12 |



42"H

30"H

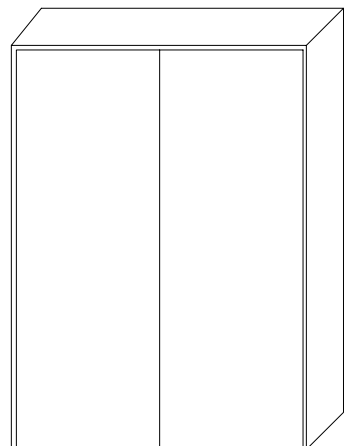


Wall Blind Corner Cabinet

| Item Code | | W | H | D |
|-----------|---------|----|----|----|
| WBC2430 | Cabinet | 24 | 30 | 12 |
| WBC2730 | Cabinet | 27 | 30 | 12 |
| WBC3630 | Cabinet | 36 | 30 | 12 |

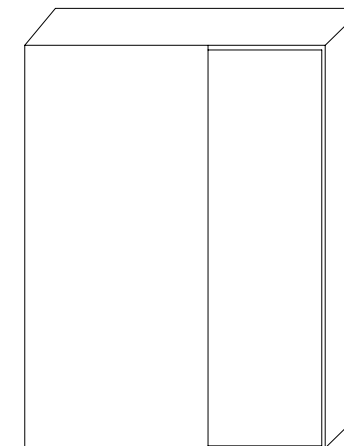
Wall Cabinet Double Doors

| Item Code | | W | H | D |
|-----------|---------|----|----|----|
| W2442 | Cabinet | 24 | 42 | 12 |
| W2742 | Cabinet | 27 | 42 | 12 |
| W3042 | Cabinet | 30 | 42 | 12 |
| W3342 | Cabinet | 33 | 42 | 12 |
| W3642 | Cabinet | 36 | 42 | 12 |



42"H

36"H

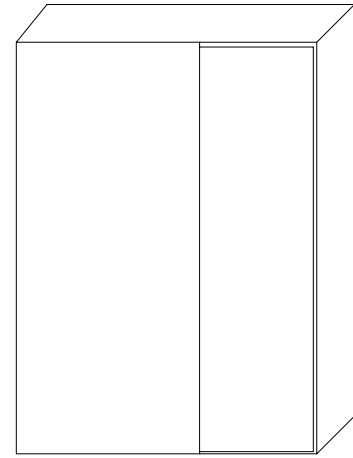


Wall Blind Corner Cabinet

| Item Code | | W | H | D |
|-----------|---------|----|----|----|
| WBC2430 | Cabinet | 24 | 36 | 12 |
| WBC2730 | Cabinet | 27 | 36 | 12 |
| WBC3630 | Cabinet | 36 | 36 | 12 |

Wall Blind Corner Cabinet

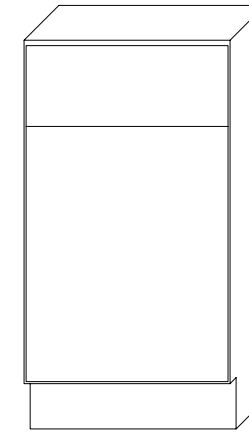
| Item Code | | W | H | D |
|-----------|---------|----|----|----|
| WBC2430 | Cabinet | 24 | 42 | 12 |
| WBC2730 | Cabinet | 27 | 42 | 12 |
| WBC3630 | Cabinet | 36 | 42 | 12 |



42"H

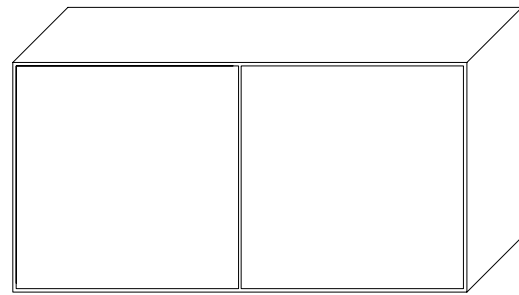
Base Cabinet Single Door

| Item Code | | W | H | D |
|-----------|---------|----|--------|----|
| B12 | Cabinet | 12 | 34 1/2 | 24 |
| B15 | Cabinet | 15 | 34 1/2 | 24 |
| B18 | Cabinet | 18 | 34 1/2 | 24 |
| B21 | Cabinet | 21 | 34 1/2 | 24 |



Refrigerator Wall Cabinet Double Doors

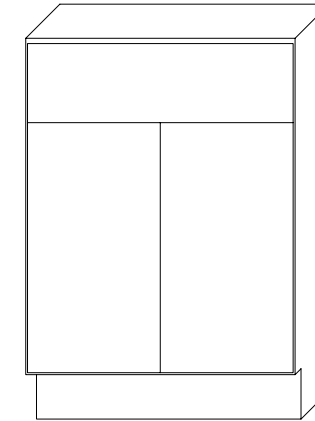
| Item Code | | W | H | D |
|-----------|---------|----|----|----|
| W361224 | Cabinet | 36 | 12 | 24 |
| W361824 | Cabinet | 36 | 18 | 24 |
| W362424 | Cabinet | 36 | 24 | 24 |



36"W

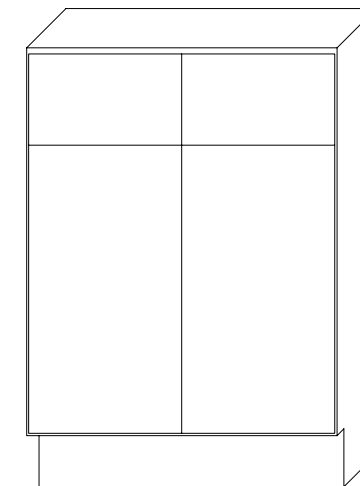
Base Cabinet Single Door

| Item Code | | W | H | D |
|-----------|---------|----|--------|----|
| B24 | Cabinet | 24 | 34 1/2 | 24 |
| B27 | Cabinet | 27 | 34 1/2 | 24 |



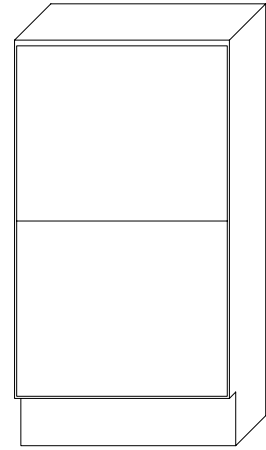
Base Cabinet Single Door

| Item Code | | W | H | D |
|-----------|---------|----|--------|----|
| B30 | Cabinet | 30 | 34 1/2 | 24 |
| B33 | Cabinet | 33 | 34 1/2 | 24 |
| B36 | Cabinet | 36 | 34 1/2 | 24 |
| B42 | Cabinet | 42 | 34 1/2 | 24 |



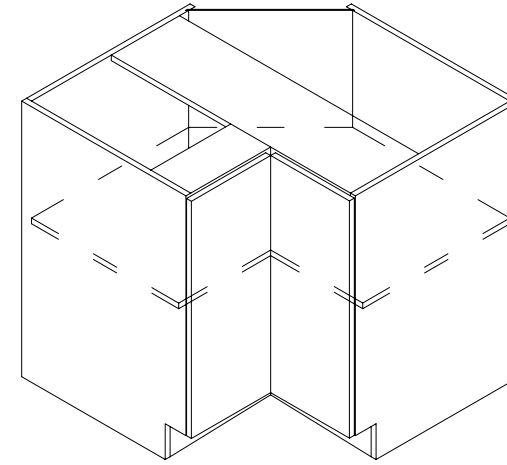
Two Drawer Base

| Item Code | | W | H | D |
|-----------|---------|----|--------|----|
| 2DB30 | Cabinet | 30 | 34 1/2 | 24 |
| 2DB36 | Cabinet | 36 | 34 1/2 | 24 |



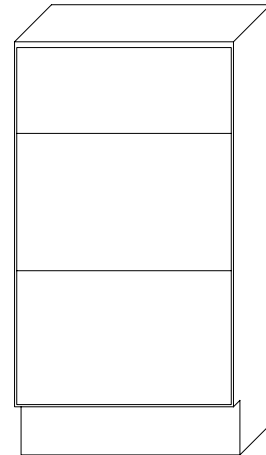
Easy Reach Base Cabinet

| Item Code | | W | H | D |
|-----------|---------|----|--------|----|
| ERB33 | Cabinet | 33 | 34 1/2 | 24 |
| ERB36 | Cabinet | 36 | 34 1/2 | 24 |



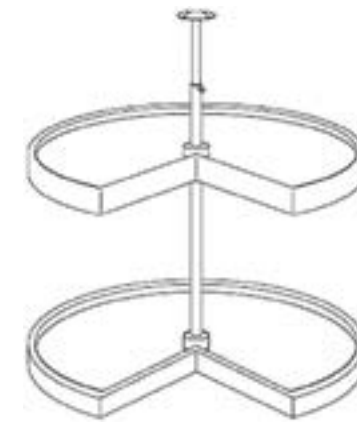
Three Drawer Base

| Item Code | | W | H | D |
|-----------|---------|----|--------|----|
| 3DB12 | Cabinet | 12 | 34 1/2 | 24 |
| 3DB15 | Cabinet | 15 | 34 1/2 | 24 |
| 3DB18 | Cabinet | 18 | 34 1/2 | 24 |
| 3DB21 | Cabinet | 21 | 34 1/2 | 24 |
| 3DB24 | Cabinet | 24 | 34 1/2 | 24 |
| 3DB30 | Cabinet | 30 | 34 1/2 | 24 |
| 3DB36 | Cabinet | 36 | 34 1/2 | 24 |



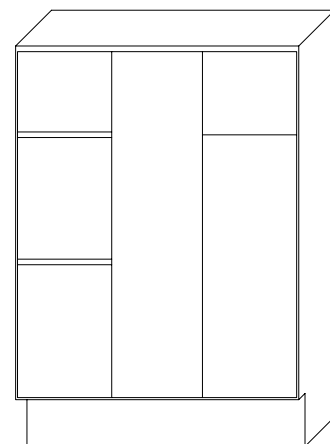
Wood Tray/ Chrome Tray

| Item Code |
|--------------|
| Wood Tray |
| ChromeTray33 |
| ChromeTray36 |



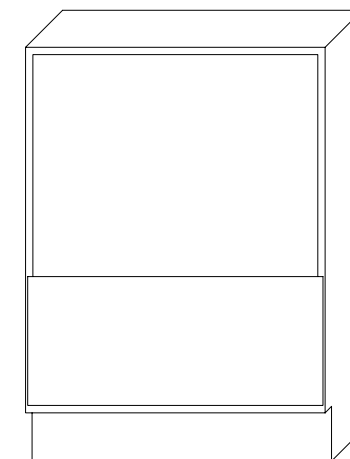
Blind Corner Base Cabinet

| Item Code | | W | H | D |
|-----------|--------------------------|----|--------|----|
| BBC36 | Cabinet | 27 | 34 1/2 | 24 |
| | Install range: 36" - 39" | | | |
| BBC39 | Cabinet | 33 | 34 1/2 | 24 |
| | Install range: 39" - 42" | | | |



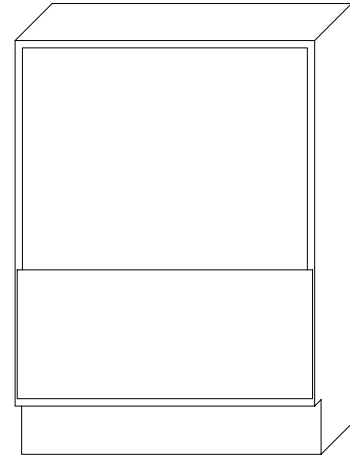
Microwave Base Cabinet

| Item Code | | W | H | D |
|-----------|---------|----|--------|----|
| MB30 | Cabinet | 30 | 34 1/2 | 24 |



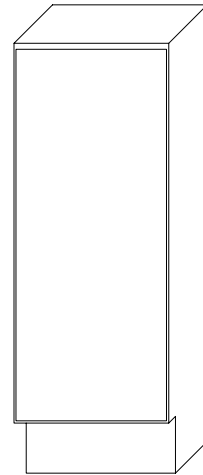
Base Waste Basket Cabinet

| Item Code | | W | H | D |
|-----------|---------|----|--------|----|
| BWB18 | Cabinet | 18 | 34 1/2 | 24 |



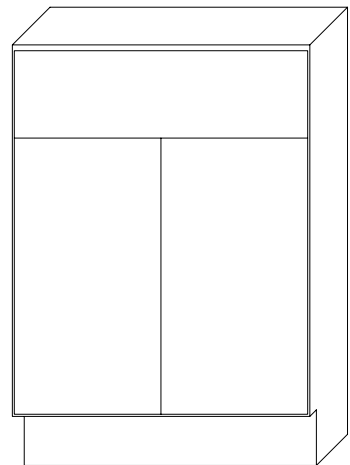
Base Tray

| Item Code | | W | H | D |
|-----------|---------|----|--------|----|
| BT09 | Cabinet | 09 | 34 1/2 | 24 |



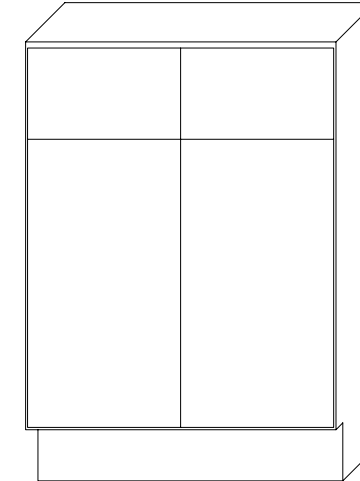
Sink Base

| Item Code | | W | H | D |
|-----------|---------|----|--------|----|
| SB27 | Cabinet | 27 | 34 1/2 | 24 |



Sink Base

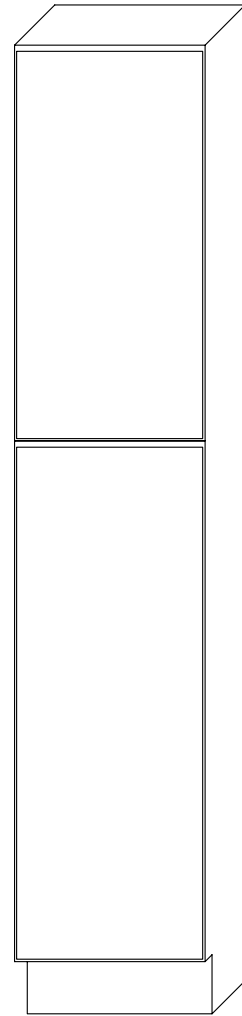
| Item Code | | W | H | D |
|-----------|---------|----|--------|----|
| SB30 | Cabinet | 30 | 34 1/2 | 24 |
| SB33 | Cabinet | 33 | 34 1/2 | 24 |
| SB36 | Cabinet | 36 | 34 1/2 | 24 |



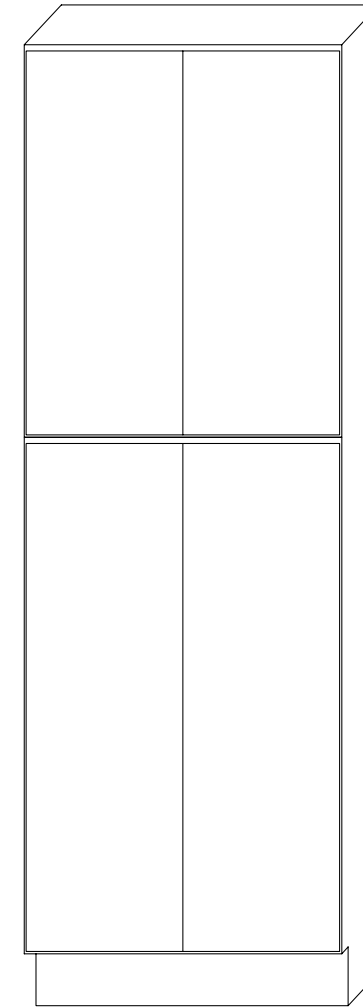
Utility Pantry

| Item Code | | W | H | D |
|-----------|---------|----|----|----|
| U188424 | Cabinet | 18 | 84 | 24 |
| U189024 | Cabinet | 18 | 90 | 24 |
| U189624 | Cabinet | 18 | 96 | 24 |

18"W



24"W



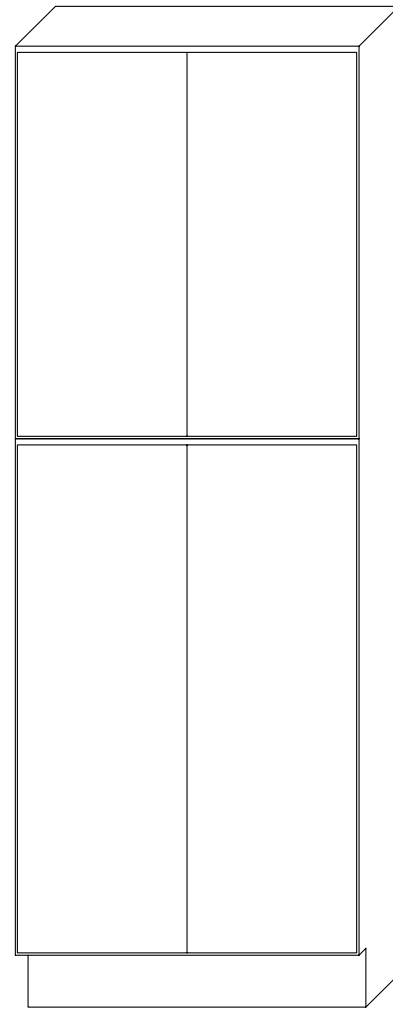
Utility Pantry

| Item Code | | W | H | D |
|-----------|---------|----|----|----|
| U248424 | Cabinet | 24 | 84 | 24 |
| U249024 | Cabinet | 24 | 90 | 24 |
| U249624 | Cabinet | 24 | 96 | 24 |

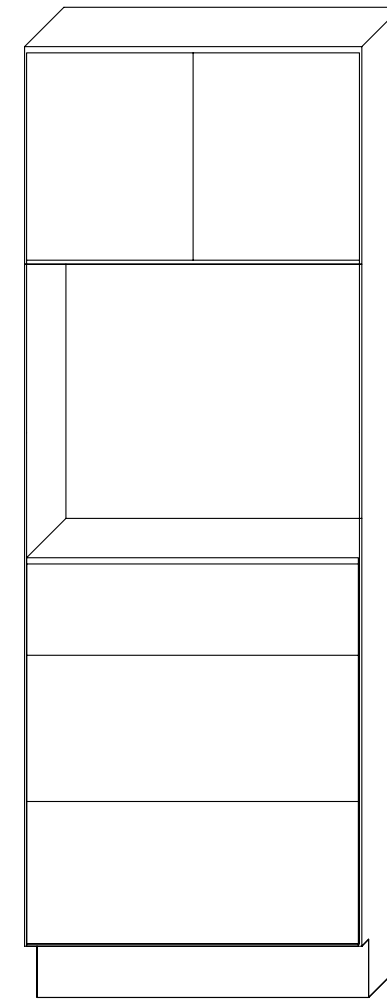
Utility Pantry

| Item Code | | W | H | D |
|-----------|---------|----|----|----|
| U308424 | Cabinet | 30 | 84 | 24 |
| U309024 | Cabinet | 30 | 90 | 24 |
| U309624 | Cabinet | 30 | 96 | 24 |

30"W



30"W

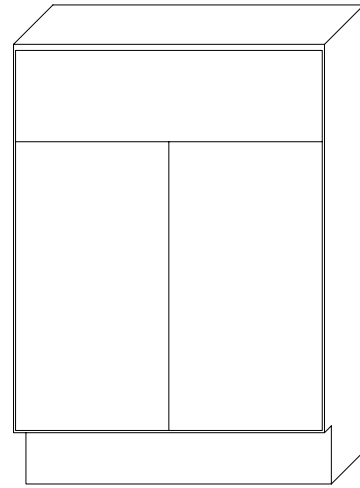


Oven Pantry

| Item Code | | W | H | D |
|-----------|---------|----|----|----|
| O308424 | Cabinet | 30 | 84 | 24 |
| O309024 | Cabinet | 30 | 90 | 24 |
| O309624 | Cabinet | 30 | 96 | 24 |

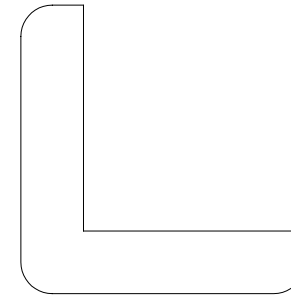
Vanity Sink Base

| Item Code | | W | H | D |
|-----------|---------|----|--------|----|
| VS24 | Cabinet | 24 | 34 1/2 | 21 |
| VS27 | Cabinet | 27 | 34 1/2 | 21 |



Outside Corner Moulding

| Item Code | L |
|-----------|----|
| OCM8 | 96 |



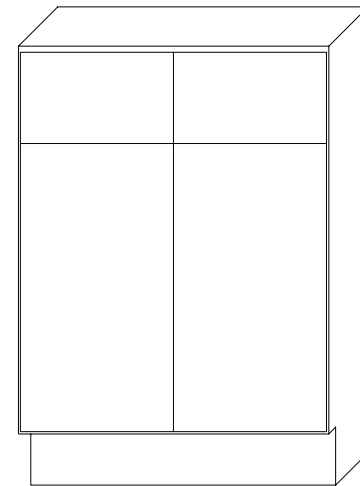
Scribe Moulding

| Item Code | L |
|-----------|----|
| SM8(SCR) | 96 |



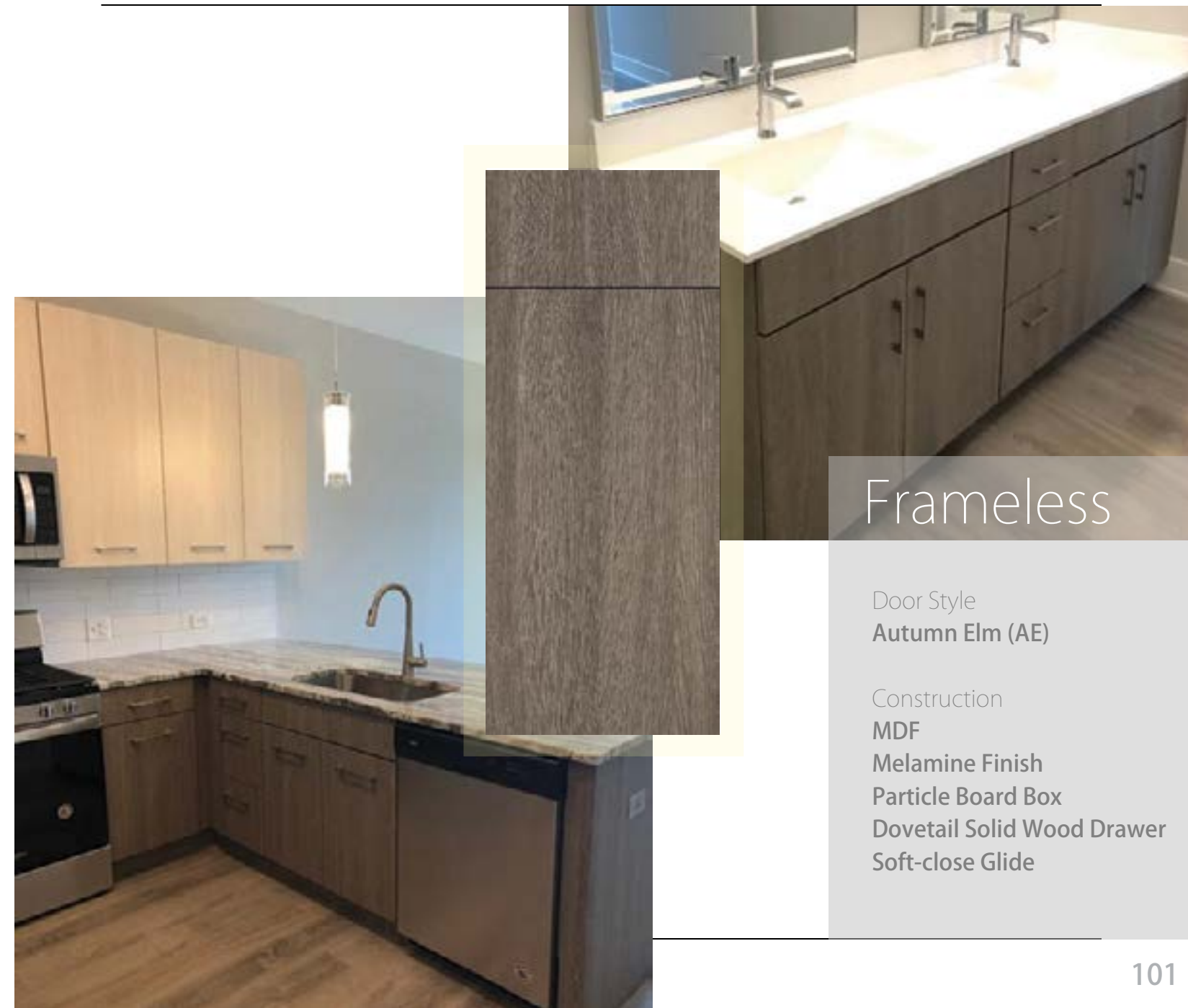
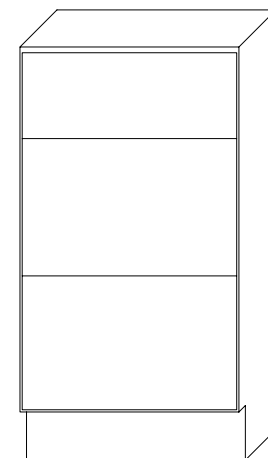
Vanity Sink Base

| Item Code | | W | H | D |
|-----------|---------|----|--------|----|
| VS30 | Cabinet | 30 | 34 1/2 | 21 |
| VS36 | Cabinet | 36 | 34 1/2 | 21 |



Vanity Drawer Base Cabinet

| Item Code | | W | H | D |
|-----------|---------|----|--------|----|
| 3VDB12 | Cabinet | 12 | 34 1/2 | 21 |
| 3VDB15 | Cabinet | 15 | 34 1/2 | 21 |
| 3VDB18 | Cabinet | 18 | 34 1/2 | 21 |



Frameless

Door Style
Autumn Elm (AE)

Construction
MDF
Melamine Finish
Particle Board Box
Dovetail Solid Wood Drawer
Soft-close Glide

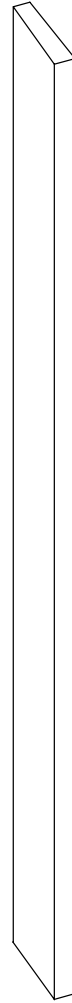
Filler

| Item Code | L |
|-----------|----|
| F342 | 42 |
| F642 | 42 |



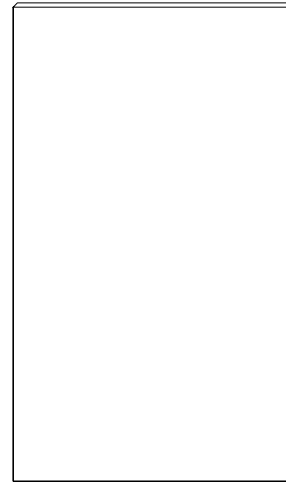
Tall Filler

| ItemCode | L |
|----------|----|
| F396 | 96 |
| F696 | 96 |



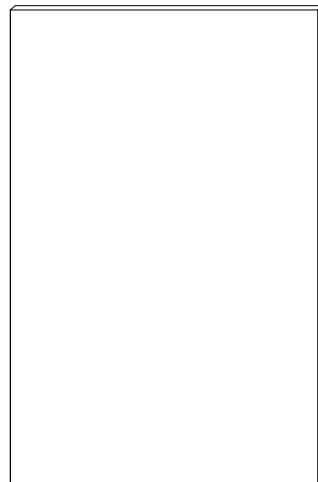
Tall Panel

| Item Code | L |
|-----------|----|
| PNL2496 | 96 |



Island Panel

| Item Code | L |
|-----------|----|
| PNL3796 | 96 |
| PNL4896 | 96 |

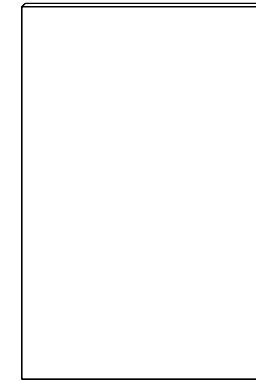


Wall Decorative Door Panel

| ItemCode | L |
|----------|----|
| WDEP30 | 29 |
| WDEP36 | 35 |
| WDEP42 | 41 |

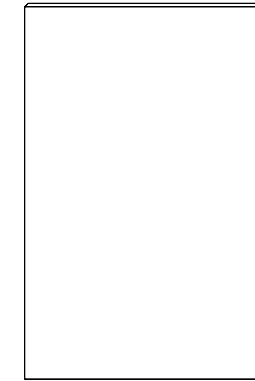


Base Decorative Door Panel



| ItemCode | L |
|----------|----|
| BEP | 29 |

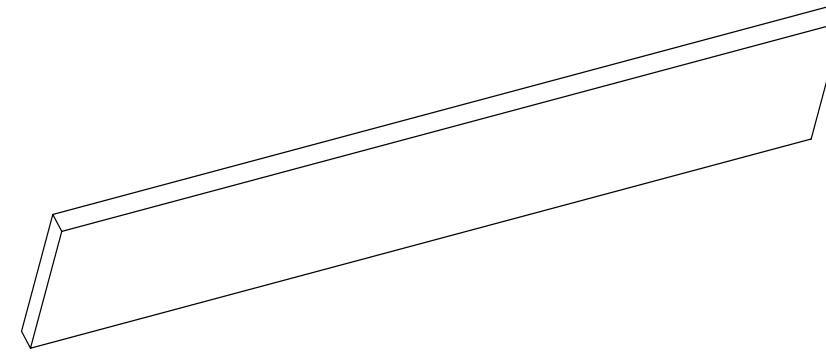
Vanity Base Decorative Door Panel



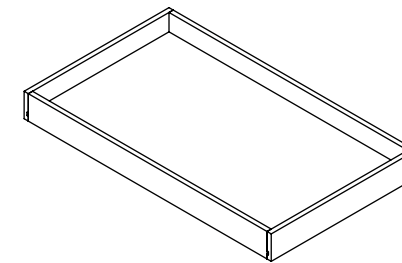
| ItemCode | L |
|----------|----|
| VEP | 29 |

Toe Kick

| ItemCode | L |
|----------|----|
| TKC | 29 |

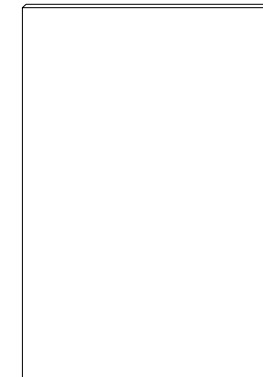


Roll Out Tray



| Item Code |
|-----------|
| RS18 |
| RS21 |
| RS24 |
| RS27 |
| RS30 |
| RS33 |
| RS36 |

Sample Door



| Item Code |
|-----------|
| SD |

Wall Cabinets

| ITEM | WALL CABINETS - 12"H | AE |
|---------|---|-------|
| W3012 | Wall Cabinet - 30"W x 12"H x 12"D - 2D | \$140 |
| W3312 | Wall Cabinet - 33"W x 12"H x 12"D - 2D | \$147 |
| W3612 | Wall Cabinet - 36"W x 12"H x 12"D - 2D | \$157 |
| W361224 | Wall Refrigerator Cabinet - 36"W x 12"H x 24"D - 2D | \$216 |

| ITEM | WALL CABINETS - 18"H | AE |
|---------|---|-------|
| W3018 | Wall Cabinet - 30"W x 18"H x 12"D - 2D | \$167 |
| W3318 | Wall Cabinet - 33"W x 18"H x 12"D - 2D | \$178 |
| W3618 | Wall Cabinet - 36"W x 18"H x 12"D - 2D | \$190 |
| W361824 | Wall Refrigerator Cabinet - 36"W x 18"H x 24"D - 2D | \$249 |

| ITEM | WALL CABINETS - 24"H | AE |
|---------|--|-------|
| W3024 | Wall Cabinet - 30"W x 24"H x 12"D - 2D - 1S | \$210 |
| W3324 | Wall Cabinet - 33"W x 24"H x 12"D - 2D - 1S | \$226 |
| W3624 | Wall Cabinet - 36"W x 24"H x 12"D - 2D - 1S | \$240 |
| W362424 | Wall Refrigerator Cabinet - 36"W x 24"H x 24"D - 2D - 1S | \$319 |

| ITEM | WALL CABINETS - 30"H | AE |
|-------|---|-------|
| W0930 | Wall Cabinet - 09"W x 30"H x 12"D - 1D - 2S | \$116 |
| W1230 | Wall Cabinet - 12"W x 30"H x 12"D - 1D - 2S | \$131 |
| W1530 | Wall Cabinet - 15"W x 30"H x 12"D - 1D - 2S | \$149 |
| W1830 | Wall Cabinet - 18"W x 30"H x 12"D - 1D - 2S | \$168 |
| W2130 | Wall Cabinet - 21"W x 30"H x 12"D - 1D - 2S | \$186 |
| W2430 | Wall Cabinet - 24"W x 30"H x 12"D - 2D - 2S | \$217 |
| W2730 | Wall Cabinet - 27"W x 30"H x 12"D - 2D - 2S | \$234 |
| W3030 | Wall Cabinet - 30"W x 30"H x 12"D - 2D - 2S | \$253 |
| W3330 | Wall Cabinet - 33"W x 30"H x 12"D - 2D - 2S | \$273 |
| W3630 | Wall Cabinet - 36"W x 30"H x 12"D - 2D - 2S | \$290 |

| ITEM | WALL CABINETS - 36"H | AE |
|-------|---|-------|
| W0936 | Wall Cabinet - 09"W x 36"H x 12"D - 1D - 2S | \$132 |
| W1236 | Wall Cabinet - 12"W x 36"H x 12"D - 1D - 2S | \$149 |
| W1536 | Wall Cabinet - 15"W x 36"H x 12"D - 1D - 2S | \$171 |
| W1836 | Wall Cabinet - 18"W x 36"H x 12"D - 1D - 2S | \$193 |
| W2136 | Wall Cabinet - 21"W x 36"H x 12"D - 1D - 2S | \$215 |
| W2436 | Wall Cabinet - 24"W x 36"H x 12"D - 2D - 2S | \$246 |
| W2736 | Wall Cabinet - 27"W x 36"H x 12"D - 2D - 2S | \$267 |
| W3036 | Wall Cabinet - 30"W x 36"H x 12"D - 2D - 2S | \$289 |
| W3336 | Wall Cabinet - 33"W x 36"H x 12"D - 2D - 2S | \$311 |
| W3636 | Wall Cabinet - 36"W x 36"H x 12"D - 2D - 2S | \$331 |

Wall Cabinets

| ITEM | WALL CABINETS - 42"H | AE |
|-------|---|-------|
| W0942 | Wall Cabinet - 09"W x 42"H x 12"D - 1D - 3S | \$157 |
| W1242 | Wall Cabinet - 12"W x 42"H x 12"D - 1D - 3S | \$178 |
| W1542 | Wall Cabinet - 15"W x 42"H x 12"D - 1D - 3S | \$204 |
| W1842 | Wall Cabinet - 18"W x 42"H x 12"D - 1D - 3S | \$229 |
| W2142 | Wall Cabinet - 21"W x 42"H x 12"D - 1D - 3S | \$254 |
| W2442 | Wall Cabinet - 24"W x 42"H x 12"D - 2D - 3S | \$297 |
| W2742 | Wall Cabinet - 27"W x 42"H x 12"D - 2D - 3S | \$322 |
| W3042 | Wall Cabinet - 30"W x 42"H x 12"D - 2D - 3S | \$347 |
| W3342 | Wall Cabinet - 33"W x 42"H x 12"D - 2D - 3S | \$372 |
| W3642 | Wall Cabinet - 36"W x 42"H x 12"D - 2D - 3S | \$397 |

| ITEM | DIAGONAL CORNER WALL CABINETS | AE |
|---------|---|-------|
| DCW2430 | Wall Diagonal Corner Cabinet - 24"W x 30"H x 12"D - 1D - 2S | \$337 |
| DCW2436 | Wall Diagonal Corner Cabinet - 24"W x 36"H x 12"D - 1D - 2S | \$365 |
| DCW2442 | Wall Diagonal Corner Cabinet - 24"W x 42"H x 12"D - 1D - 3S | \$440 |

| ITEM | BLIND CONNER WALL CABINETS | AE |
|---------|--|-------|
| WBC2430 | Wall Blind Corner Cabinet - 24"W x 30"H x 12"D - 1D - 2S | \$204 |
| WBC3030 | Wall Blind Corner Cabinet - 30"W x 30"H x 12"D - 1D - 2S | \$241 |
| WBC3630 | Wall Blind Corner Cabinet - 36"W x 30"H x 12"D - 1D - 2S | \$277 |
| WBC2436 | Wall Blind Corner Cabinet - 24"W x 36"H x 12"D - 1D - 2S | \$233 |
| WBC3036 | Wall Blind Corner Cabinet - 30"W x 36"H x 12"D - 1D - 2S | \$277 |
| WBC3636 | Wall Blind Corner Cabinet - 36"W x 36"H x 12"D - 1D - 2S | \$307 |
| WBC2442 | Wall Blind Corner Cabinet - 24"W x 42"H x 12"D - 1D - 3S | \$277 |
| WBC3042 | Wall Blind Corner Cabinet - 30"W x 42"H x 12"D - 1D - 3S | \$327 |
| WBC3642 | Wall Blind Corner Cabinet - 36"W x 42"H x 12"D - 1D - 3S | \$339 |

Base Cabinets

| ITEM | BASE CABINETS | AE |
|------|--|-------|
| BT09 | Base Tray Cabinet - 9"W x 34-1/2"H x 24"D - 1D | \$173 |
| B12 | Base Cabinet - 12"W x 34-1/2"H x 24"D - 1D, 1Drw, 1S | \$286 |
| B15 | Base Cabinet - 15"W x 34-1/2"H x 24"D - 1D, 1Drw, 1S | \$307 |
| B18 | Base Cabinet - 18"W x 34-1/2"H x 24"D - 1D, 1Drw, 1S | \$336 |
| B21 | Base Cabinet - 21"W x 34-1/2"H x 24"D - 1D, 1Drw, 1S | \$355 |
| B24 | Base Cabinet - 24"W x 34-1/2"H x 24"D - 2D, 1Drw, 1S | \$396 |
| B27 | Base Cabinet - 27"W x 34-1/2"H x 24"D - 2D, 1Drw, 1S | \$422 |
| B30 | Base Cabinet - 30"W x 34-1/2"H x 24"D - 2D, 2Drw, 1S | \$535 |
| B33 | Base Cabinet - 33"W x 34-1/2"H x 24"D - 2D, 2Drw, 1S | \$561 |
| B36 | Base Cabinet - 36"W x 34-1/2"H x 24"D - 2D, 2Drw, 1S | \$589 |
| MB30 | Microwave Base Cabinet - 30"W x 34-1/2"H x 24"D - 1Drw | \$425 |

Base Cabinets

| ITEM | SINK BASES | AE |
|------|--|-------|
| SB27 | Sink Base - 27"W x 34-1/2"H x 24"D - 1 False Drawer | \$278 |
| SB30 | Sink Base - 30"W x 34-1/2"H x 24"D - 1 False Drawer | \$298 |
| SB33 | Sink Base - 33"W x 34-1/2"H x 24"D - 2 False Drawers | \$316 |
| SB36 | Sink Base - 36"W x 34-1/2"H x 24"D - 2 False Drawers | \$336 |

| ITEM | TWO DRAWER BASES | AE |
|-------|---|-------|
| 2DB30 | Drawer Base Cabinet - 30"W x 34-1/2"H x 24"D - 2DRW | \$622 |
| 2DB36 | Drawer Base Cabinet - 36"W x 34-1/2"H x 24"D - 2DRW | \$690 |

| ITEM | THREE DRAWER BASES | AE |
|-------|---|-------|
| 3DB12 | Drawer Base Cabinet - 12"W x 34-1/2"H x 24"D - 3DRW | \$482 |
| 3DB15 | Drawer Base Cabinet - 15"W x 34-1/2"H x 24"D - 3DRW | \$512 |
| 3DB18 | Drawer Base Cabinet - 18"W x 34-1/2"H x 24"D - 3DRW | \$546 |
| 3DB21 | Drawer Base Cabinet - 21"W x 34-1/2"H x 24"D - 3DRW | \$585 |
| 3DB24 | Drawer Base Cabinet - 24"W x 34-1/2"H x 24"D - 3DRW | \$629 |
| 3DB30 | Drawer Base Cabinet - 30"W x 34-1/2"H x 24"D - 3DRW | \$700 |
| 3DB36 | Drawer Base Cabinet - 36"W x 34-1/2"H x 24"D - 3DRW | \$769 |

| ITEM | ACCESSORY BASE CABINETS | AE |
|-------|---------------------------------------|-------|
| BWB18 | Base Waste Basket - 18" x 34-1/2 x 24 | \$498 |

| ITEM | LAZY SUSAN BASE CABINETS | AE |
|----------------|---|-------|
| ERB33 | Easy Reach Base Cabinet - 33"W x 34-1/2"H - 1D *Add Wood/Chrome Tray 33 to convert to Lazy Susan | \$380 |
| ERB36 | Easy Reach Base Cabinet - 36"W x 34-1/2"H - 1D *Add Wood/Chrome Tray 36 to convert to Lazy Susan | \$416 |
| Wood Tray | Wood Tray for LSB33 or LSB36 | \$169 |
| Chrome Tray 33 | Chrome Tray for LSB33 | \$143 |
| Chrome Tray 36 | Chrome Tray for LSB36 | \$160 |

| ITEM | BLIND CORNER BASE CABINETS | AE |
|-------|--|-------|
| BBC36 | Blind Base Corner Cabinet - 27"W x 34-1/2"H x 24"D -1D, 1Drw, 1S *Install range 37" min - 40" max; Specify Left-hinge or Right Hinge | \$470 |
| BBC42 | Blind Base Corner Cabinet - 27"W x 34-1/2"H x 24"D -1D, 1Drw, 1S *Install range 40" min - 43" max; Specify Left-hinge or Right Hinge assembly | \$519 |

| ITEM | OVEN CABINETS | AE |
|---------|--|---------|
| O308424 | Oven Cabinet - 30"W x 84"H X 24"D - 2D, 3DRW, 1S | \$1,021 |
| O309024 | Oven Cabinet - 30"W x 90"H X 24"D - 2D, 3DRW, 1S | \$1,089 |
| O309624 | Oven Cabinet - 30"W x 96"H X 24"D - 2D, 3DRW, 1S | \$1,157 |

Pantries

| ITEM | TALL PANTRIES | AE |
|---------|---|-------|
| U188424 | Wall Pantry - 18"W x 84"H x 24"D - 2D, 5S | \$572 |
| U248424 | Wall Pantry - 24"W x 84"H x 24"D - 4D, 5S | \$711 |
| U308424 | Wall Pantry - 30"W x 84"H x 24"D - 4D, 5S | \$826 |
| U189024 | Wall Pantry - 18"W x 90"H x 24"D - 2D, 5S | \$601 |
| U249024 | Wall Pantry - 24"W x 90"H x 24"D - 4D, 5S | \$741 |
| U309024 | Wall Pantry - 30"W x 90"H x 24"D - 4D, 5S | \$861 |
| U189624 | Wall Pantry - 18"W x 96"H x 24"D - 2D, 5S | \$650 |
| U249624 | Wall Pantry - 24"W x 96"H x 24"D - 4D, 5S | \$809 |
| U309624 | Wall Pantry - 30"W x 96"H x 24"D - 4D, 5S | \$939 |

Vanity Cabinets

| ITEM | VANITY SINK CABINETS | AE |
|------|---|-------|
| VS24 | Vanity Sink Base Cabinet - 24"W x 34 1/2"H x 21"D | \$250 |
| VS27 | Vanity Sink Base Cabinet - 27"W x 34 1/2"H x 21"D | \$268 |
| VS30 | Vanity Sink Base Cabinet - 30"W x 34 1/2"H x 21"D | \$287 |
| VS36 | Vanity Sink Base Cabinet - 36"W x 34 1/2"H x 21"D | \$325 |

| ITEM | VANITY DRAWER CABINETS | AE |
|--------|---|-------|
| 3VDB12 | Vanity Drawer Base Cabinet - 12"W x 34 1/2"H x 21"D - 3 DRW | \$449 |
| 3VDB15 | Vanity Drawer Base Cabinet - 15"W x 34 1/2"H x 21"D - 3 DRW | \$479 |
| 3VDB18 | Vanity Drawer Base Cabinet - 18"W x 34 1/2"H x 21"D - 3 DRW | \$510 |

Mouldings and Fillers

| ITEM | MOULDINGS | AE |
|------|--|------|
| OCM8 | Outside Corner Moulding - 96'W x 3/4'H x 3/4"D | \$44 |
| SCM8 | Scribe Moulding - 96"W x 1/4"H x 5/8"D | \$32 |

| ITEM | FILLERS | AE |
|------|----------------------------------|------|
| F342 | Wall Filler - 3"W x 42"H x 3/4"D | \$13 |
| F396 | Tall Filler - 3"W x 96"H x 3/4"D | \$31 |
| F642 | Wall Filler - 6"W x 42"H x 3/4"D | \$26 |
| F696 | Tall Filler - 6"W x 96"H x 3/4"D | \$59 |

Panels and Accessories

| ITEM | PANELS | AE |
|---------|---|-------|
| BEP | Base Decorative Door Panel - 23 1/2"W x 29"H | \$88 |
| VEP | Vanity Base Decorative Door Panel - 21 3/4"W x 29"H | \$77 |
| PNL2496 | Tall Panel- 24 3/4"W x 96"H x 3/4"D | \$184 |
| PNL3796 | Island Panel 96" x 37 1/2 " x 3/4"D | \$244 |
| PNL4896 | Island Panel 96" x 48" x3/4"D | \$312 |
| TKC | Toe Kick 8' Plywood - 96"W x 4 1/2"H x 1/8"D | \$45 |
| WDEP30 | Wall Decorative Door Panel - 11 1/2"W x 29"H | \$40 |
| WDEP36 | Wall Decorative Door Panel - 11 1/2"W x 35"H | \$47 |
| WDEP42 | Wall Decorative Door Panel - 11 1/2"W x 41"H | \$56 |

| ITEM | SAMPLE DOORS | AE |
|------|---------------------------|-----|
| SD | Sample Door - 11"W x 15"H | \$0 |



Worker Cutting Dovetails with Precision Jig



Wood Sanding

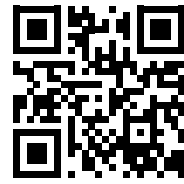


Clearcoat Drying Operation on Conveyors

Aline's Chicago warehouse is one of the wholesale distribution centers of Golden Land Wood Industry Co. LTD. Golden Land is among the largest cabinet manufacturers in China and has production facilities in China and Vietnam. The three factories in Vietnam with a total workforce of 2,000 employees supply the North American markets with a large varieties of engineered wood panels, plain timber, and solid wood cabinets. Container orders from our factories can be placed through Aline. In addition to the standard lines that are carried in Aline's warehouse, our factories also take special container orders from customers to choose from our 200 melamine color panels (see examples in page 16-21) for frameless cabinets. Please consult our office at 708-478-2471 for more information.



Cabinetry Warranty Information



Aline International LLC warrants to the original consumer purchaser products, door hinges, and drawer glides will be free from defects in material and workmanship under normal use and service for a period of ONE year from purchase date (Proof of Purchase is required). This warranty is not transferable and only applicable to product used for residential purposes.

This warranty does not cover normal wear and tear, damage or defects caused by accidents, misuse, abuse, or lack of necessary maintenance; nor does it cover alteration, modification, improper installation, improper handling / storage, environmental conditions, nor any labor expenses.

Aline International LLC, at our option, may elect to repair or replace with a functionally equivalent product any Aline product covered by this warranty. Some replacement parts are subject to availability and may differ from original parts received. Return of defective product may be required for a replacement to be issued. Repair parts or replacement parts are at the expense of Aline International LLC, but customer shall bear all other expenses. These expenses may include, but are not limited to, cost of removal and re-installation of product, labor expenses, etc.

Just as no two trees are alike, no two pieces of wood are alike. The variation in color and grain pattern in wood adds to its natural beauty and is not considered an imperfection. Environmental factors, including but not limited to artificial / natural light, moisture, cleaners, smoke, etc, may cause the darkening or mellowing of a cabinet over time. This is a natural process and can be expected. This warranty does not cover the natural aging or darkening / mellowing of wood color, the inherent growth characteristics of, or variation in wood.

Some of the cabinet lines feature a glazed finish which accentuates the door and drawer front profiles. This glaze is hand applied over a stain or paint and may, due to the nature of application, consist of random drips, runs, etc. As glazing is a hand applied process there will be variations in color and appearance from door to door and cabinet to cabinet. This is not considered a defect and is considered normal with hand applied finishes.

It is the nature of wood to expand and contract to varying degrees depending on climate conditions. As a result, cabinet lines with painted surfaces may show fractures in the paint at joints. This is normal and is not considered a defect.

This warranty is valid only in the United States of America and Canada and is not transferable. All implied warranties are limited in duration to the shorter of the period provided by law or the period of this warranty. To the extent permitted by law, this warranty excludes special, incidental, or consequential damages. Some states do not allow the exclusion or limitations of incidental or consequential damages or limitations on how long an implied warranty lasts, so the above limitations or exclusions may not apply to you. This warranty gives you specific legal rights; you may have other rights which vary from state to state.

Account Application

Aline International LLC.
Phone: 708-478-2471
Fax: 708-478-3089
Email: info@alineintl.com

A. Contact Information

To ensure prompt handling of your application, please provide all information requested below.

- Business/Individual Name: _____
- Mailing Address: _____
- City: _____
- Deliver Address: _____ Prov./State: _____
- Postal Code/Zip Code: _____ Email: _____
- Phone #: _____ Fax: _____

B. Account Information

- Tax Status: Taxable Exempt
- Business Type _____
- Sales Tax# _____ GST # _____
- US customer-Federal Tax ID (EIN) /SSN _____

C. Other

- Purchase Order Required: Yes No
- Purchaser _____ Accounts Payable Contact _____

In making this application and for and in consideration of any credit extended as a result of this application, the applicant and the undersigned, individually and collectively guarantee payment of all amounts which become due to Aline and promise to pay all costs of collection, including reasonable attorney fees incurred by Aline International LLC in collecting any money owed on any credit account maintained by any of the people or entities named in this application. If any account is established as a result of this application and is not paid when due the account shall bear interest at 1 1/2% per month, 18% per annum. All payments for goods and merchandise purchased from Aline International LLC are due and payable at the offices of Aline International LLC. All merchandise purchased from Aline International LLC shall remain the property of Aline International LLC until fully paid for.

The terms are understood and will be complied with. The information herein is to be considered accurate to the best of my knowledge.

Name (signature) _____

Name (Print) _____ Date _____

Title _____



ALINE

Wholesale Cabinetry

9100 West 191st Street
Mokena IL 60448
Tel 708-478-2471
FAX 708-478-3089
EMAIL info@alineintl.com
www.alineintl.com

Product photography and illustrations have been reproduced as printing technology permits. We recommend you visit our showroom to view an actual sample for best color, wood grain and finish representation. You may also request sample doors to be mailed to you.

Catalog prices and product availability are subject to change without notice. We also take special orders on cabinets and finishes of customization specifications, and provide design and technical assistance. For more details, please see www.alineintl.com or contact our sales and service staff.